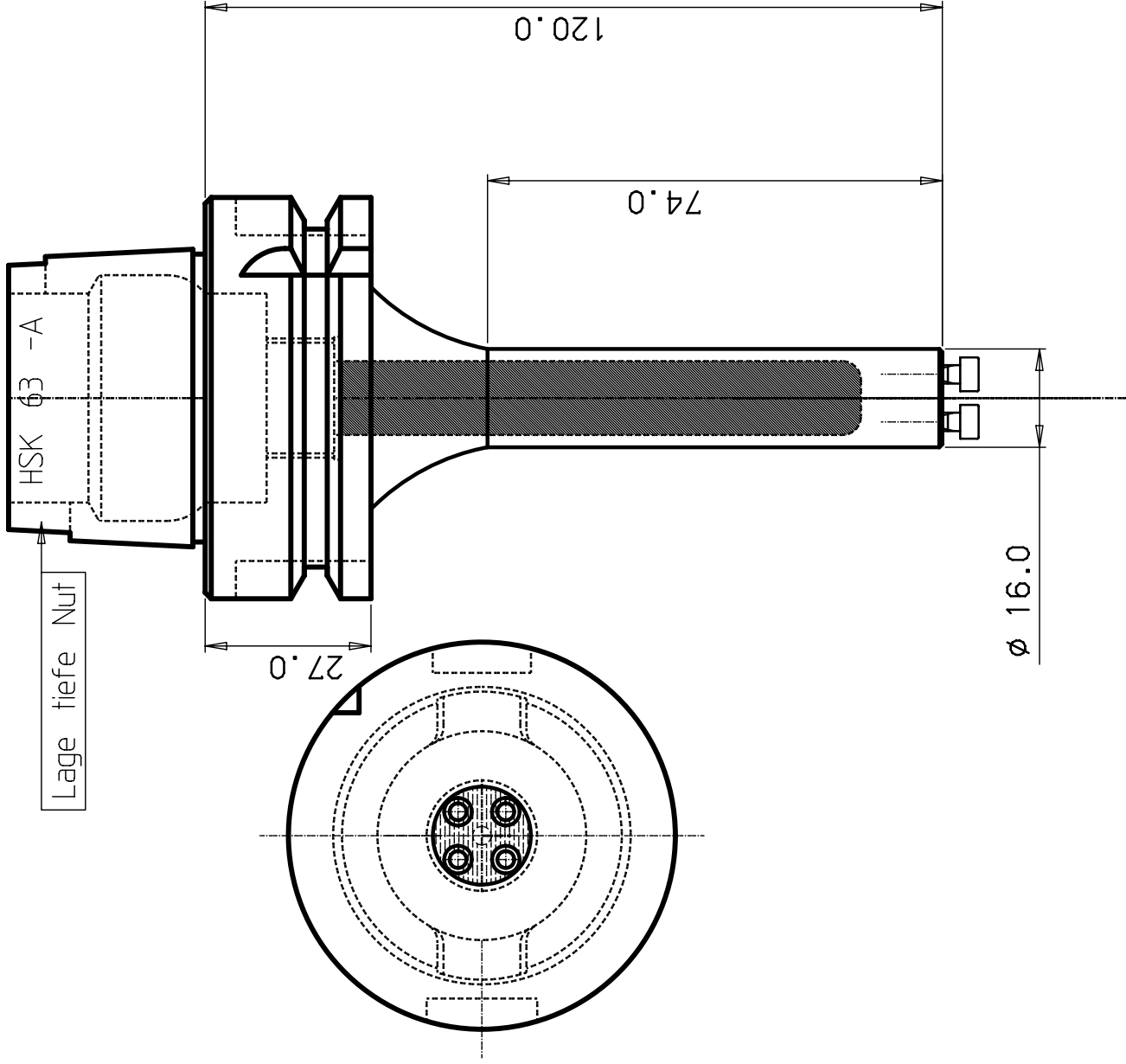


DESIGN OFFICE | DRAWING NUMBER



ITEM	QNTY	DESCRIPTION	MATERIAL AND REMARKS	SCALE	DATE	CHECKED	DRAWN	RELATED DRAWING	SIZE
1		Schaft							

TITLE

Adapter



REFERENCE | MODIFICATION | DESIGN OFFICE | DRAWING NUMBER

ABCDEFGHIJKLMNOPQRSTUVWXYZ
HSK63A-570-16120-VK