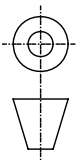
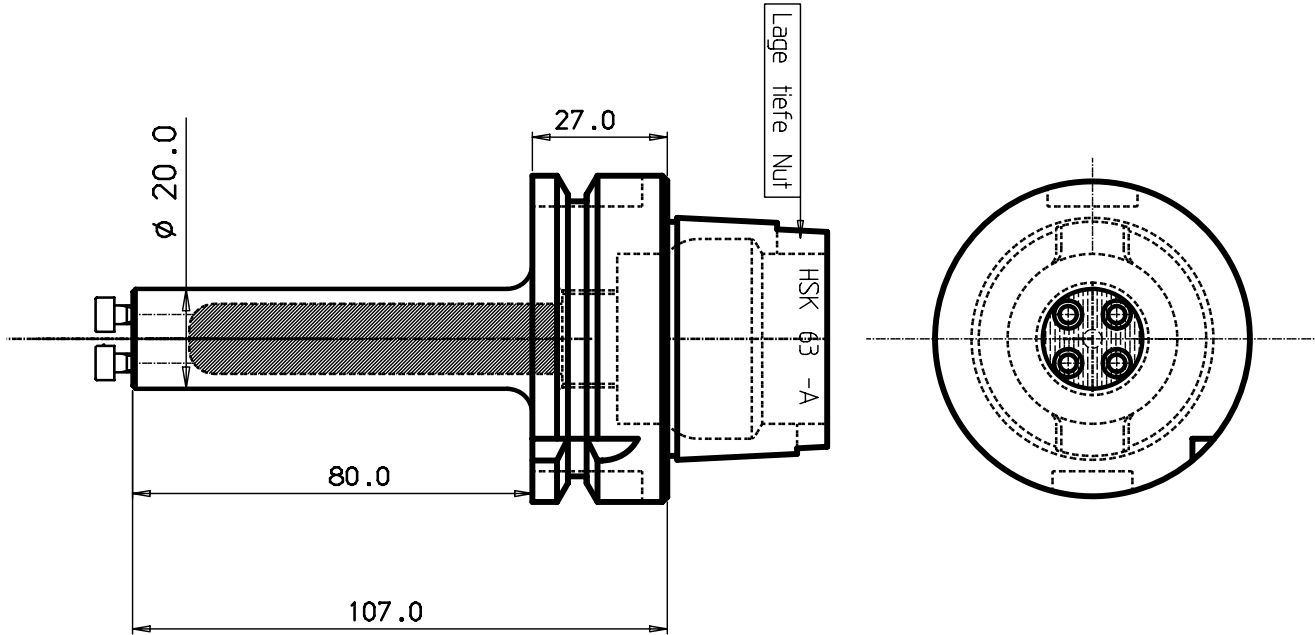


This is a technical drawing of a mechanical part. It is not a photograph. The drawing is intended for manufacturing purposes. It is not a photograph. The drawing is intended for manufacturing purposes.

100 mm
 90
 80
 70
 60
 40
 30
 20
 10
 0

MICROFILMED



340-0700-2

MOD	LOCATION	CHANGE	REFERENCE	DATE	SIGN

Tolerance systems acc to ISO
 Surface roughness Ra um
 Where tolerance not stated:
 For threads SS-iso 965/3
 For dimensions SS 715 Medium

Dimension	Tol	Angle (Shortest adjacent side in mm)	Tol
6	-6	10	± 1'
16	-30	10	± 30'
120	-315	120	± 20'
150	-1000	120	± 30'

ITEM	QNTY	DESCRIPTION	MATERIAL AND REMARKS	RELATED DRAWING	LIBR	LSR
1		Schaft				

CATEGORY DESIGNED DRAWN CHECKED DATE SCALE SUPERSEDES
 TITLE: *Adapter*
 REFERENCE:

MODIFICATION	DESCRIPTION
ABCDEF	GHJKLMNPQRSTUWXYZ

DESIGN OFFICE | DRAWING NUMBER
HSK63A-570-2C-20107-HMK

