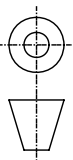


Show a detail over the diameter lines of an hole only
 and do not be over the diameter of the hole
 This drawing shows the property of the SWAK TUBING

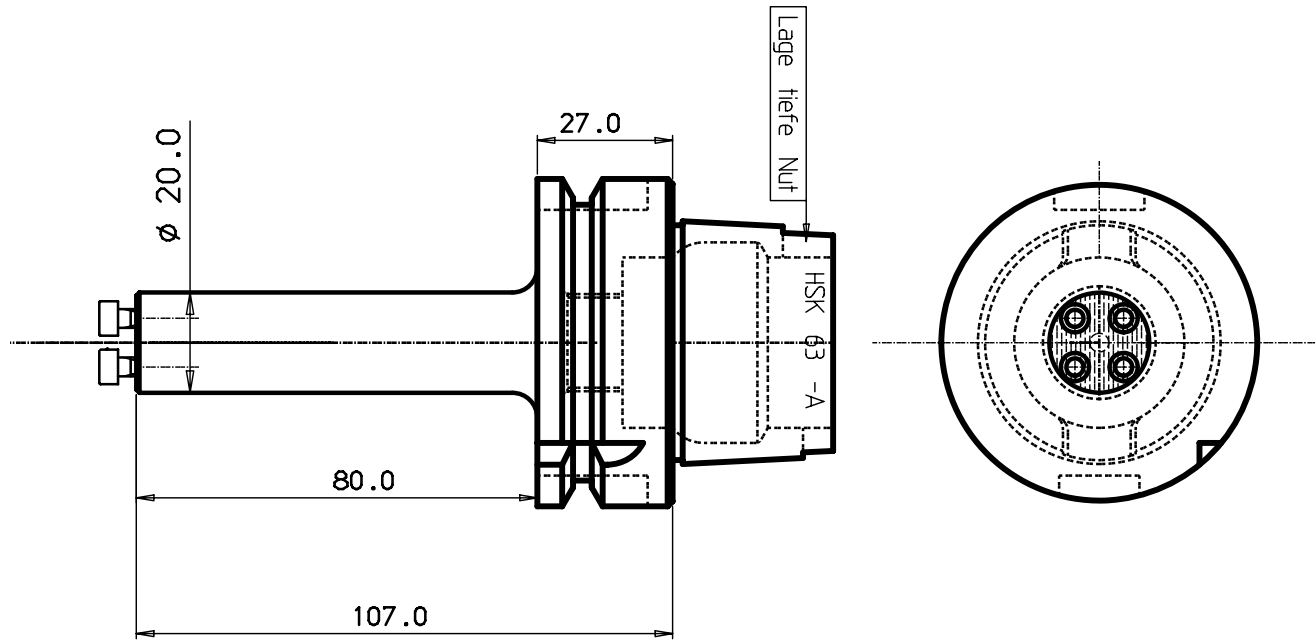
100 mm
 90
 80
 70
 60
 40
 30
 20
 10
 0

MICROFILMED



340-07000-2

DESIGN OFFICE | DRAWING NUMBER




MOD	LOCATION	CHANGE	REFERENCE	DATE	SIGN

Tolerance systems acc to ISO
 Surface roughness Ra um

Where tolerance not stated:
 For threads SS-iso 965/2
 For dimensions SS 715 Medium

Dimension	Tol	Angle (Shortest adjacent side in mm)	Tol
-6	±0.10	10	± 1'
(6) - 30	±0.20	10	± 30'
(30) - 120	±0.30	(10) - 50	± 20'
(120) - 315	±0.50	(50) - 120	± 20'
(315) - 1000	±0.80	(120) -	± 20'

ITEM	QNTY	DESCRIPTION	MATERIAL AND REMARKS	RELATED DRAWING	LITH	LSR	
1		Schaft					
CATEGORY		DESIGNED	DRAWN	CHECKED	DATE	SCALE	SUPERSEDES
TITLE							
<i>Adapter</i>							
REFERENCE			MODIFICATION	ABCDEFGHIJKLMNPRSTUVWXYZ			
			DESIGN OFFICE	DRAWING NUMBER			
HSK63A-570-2C-20107							