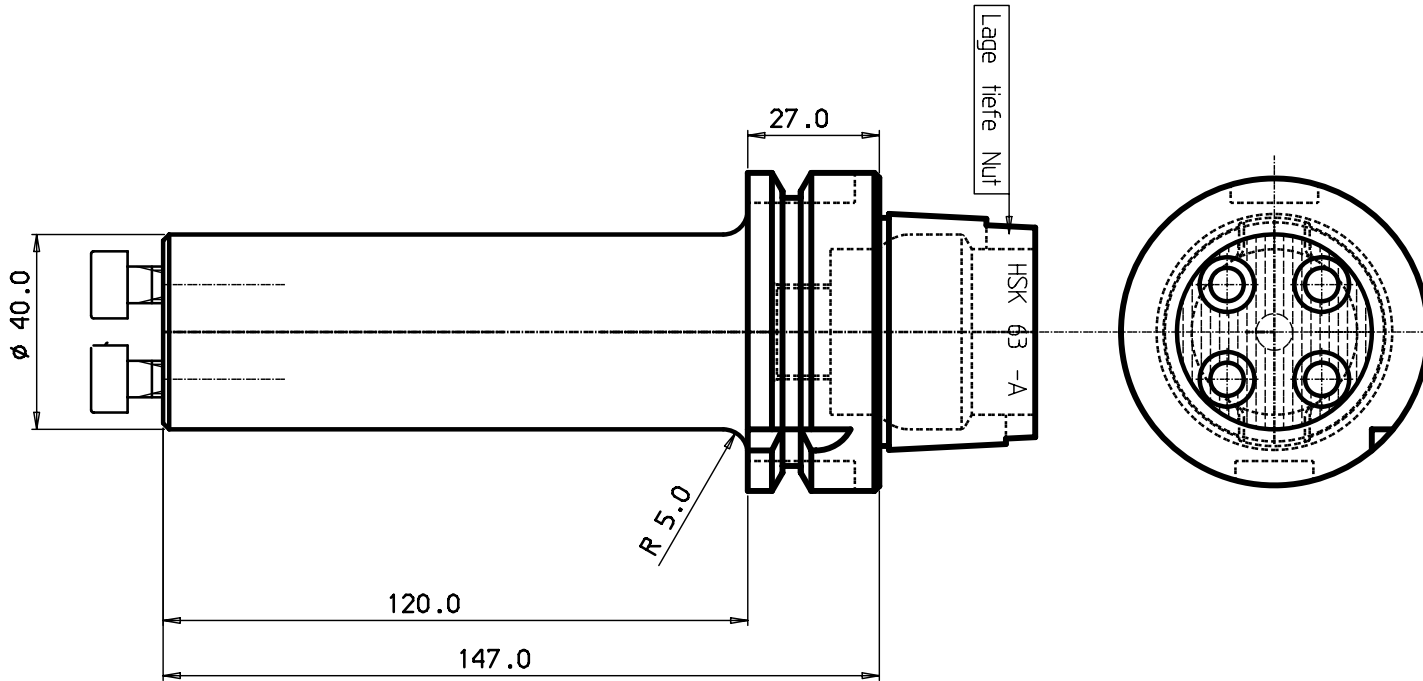


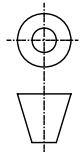
Show a detail view to complete the drawing of the part only  
 and to the extent of the drawing of the part only  
 this drawing means the property of the drawing

100 mm  
 90  
 80  
 70  
 60  
 40  
 30  
 20  
 10  
 0

MICROFILMED



DESIGN OFFICE | DRAWING NUMBER



340-07000-2

| MOD. | LOCATION | CHANGE | REFERENCE | DATE | SIGN |
|------|----------|--------|-----------|------|------|
|      |          |        |           |      |      |
|      |          |        |           |      |      |
|      |          |        |           |      |      |

Tolerance systems acc to ISO  
 Surface roughness Ra um

| Dimension    | Tol   | Angle (Shortest adjacent side in mm) | Tol   |
|--------------|-------|--------------------------------------|-------|
| -6           | ±0.10 | 30                                   | ± 1'  |
| (6) - 30     | ±0.20 | 40                                   | ± 30' |
| (30) - 120   | ±0.30 | (50) - 120                           | ± 20' |
| (120) - 375  | ±0.50 | (120) -                              | ± 10' |
| (375) - 1000 | ±0.80 |                                      |       |

|                |          |        |         |                      |       |  |  |      |      |
|----------------|----------|--------|---------|----------------------|-------|--|--|------|------|
| 1              |          | Schaft |         | MATERIAL AND REMARKS |       | RELATED DRAWING  |  | ITEM | SIZE |
| CATEGORY       | DESIGNED | DRAWN  | CHECKED | DATE                 | SCALE | SUPERSEDES   |  |      |      |
| TITLE          |          |        |         |                      |       |  |  |      |      |
| <i>Adapter</i> |          |        |         |                      |       |  |  |      |      |
| REFERENCE      |          |        |         |                      |       | ABCDEFGHIJKLMNOPQRSTUVWXYZ<br>DESIGN OFFICE   DRAWING NUMBER |  |      |      |
|                |          |        |         |                      |       | <b>HSK63A-570-2C-40147</b>                                   |  |      |      |

