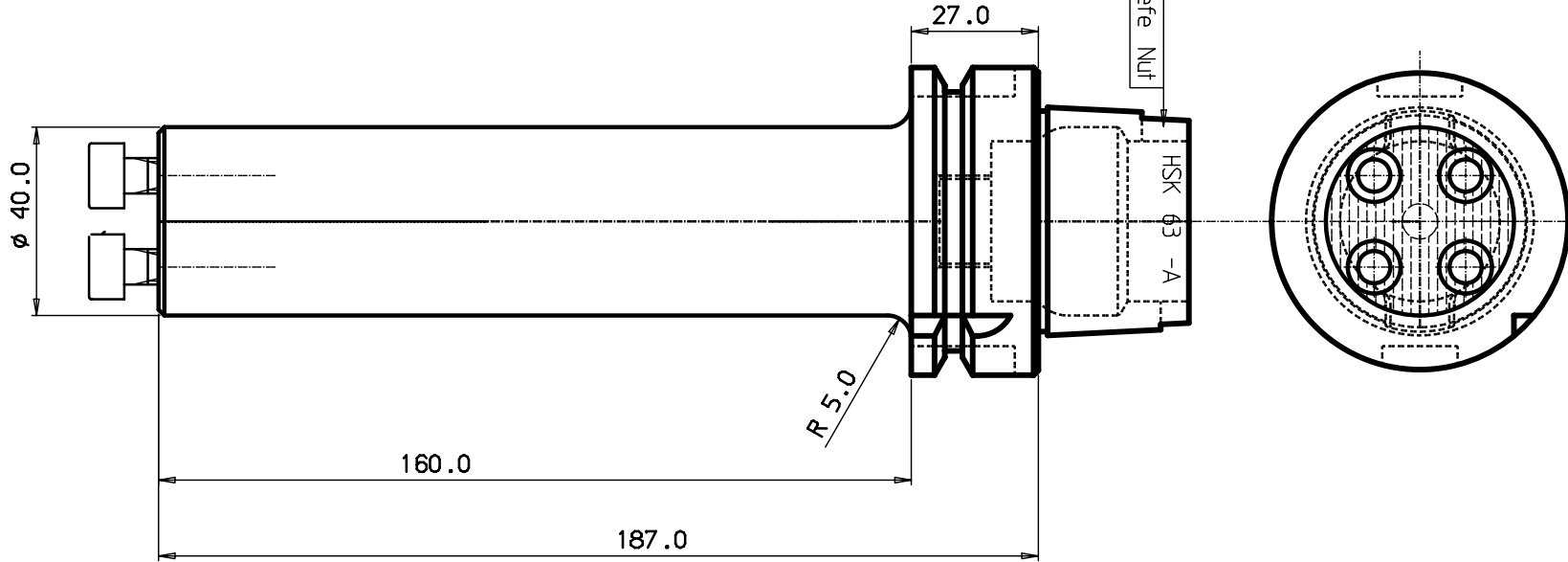


Show of thread area to complete line of an thread
 and not to be covered by any other part of the
 drawing means the property of the SHOWN DRAWING

100 mm
 90
 80
 70
 60
 40
 30
 20
 10
 0

MICROFILMED



DESIGN OFFICE | DRAWING NUMBER

187.0

R 5.0

27.0

∅ 40.0

160.0

Lage tiefe Nut

HSK 63 - A

1	Schaft							
ITEM	QNTY	DESCRIPTION	MATERIAL AND REMARKS	RELATED DRAWING	LITH	LSK		
CATEGORY	DESIGNED	DRAWN	CHECKED	DATE	SCALE	SUPERSEDES		

Tolerance systems acc to ISO
 Surface roughness Ra um

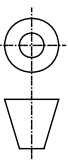
Where tolerance not stated:
 For threads SS-iso 965/3
 For dimensions SS 715 Medium

Dimension	Tol	Angle (Shortest adjacent side in mm)	Tol
-6	+0,10	10	± 1'
(6) - 30	+0,20	10	± 30'
(30) - 120	+0,30	(10) - 50	± 20'
(120) - 315	+0,50	(50) - 120	± 10'
(315) - 1000	+0,80	(120) -	

Adapter



REFERENCE	MODIFICATION	DESIGN OFFICE	DRAWING NUMBER
	ABCDEFGHIJKLMNPQRSTUWXYZ		HSK63A-570-2C-40187



340-07010-2

MOD.	LOCATION	CHANGE REFERENCE	DATE	SIGN