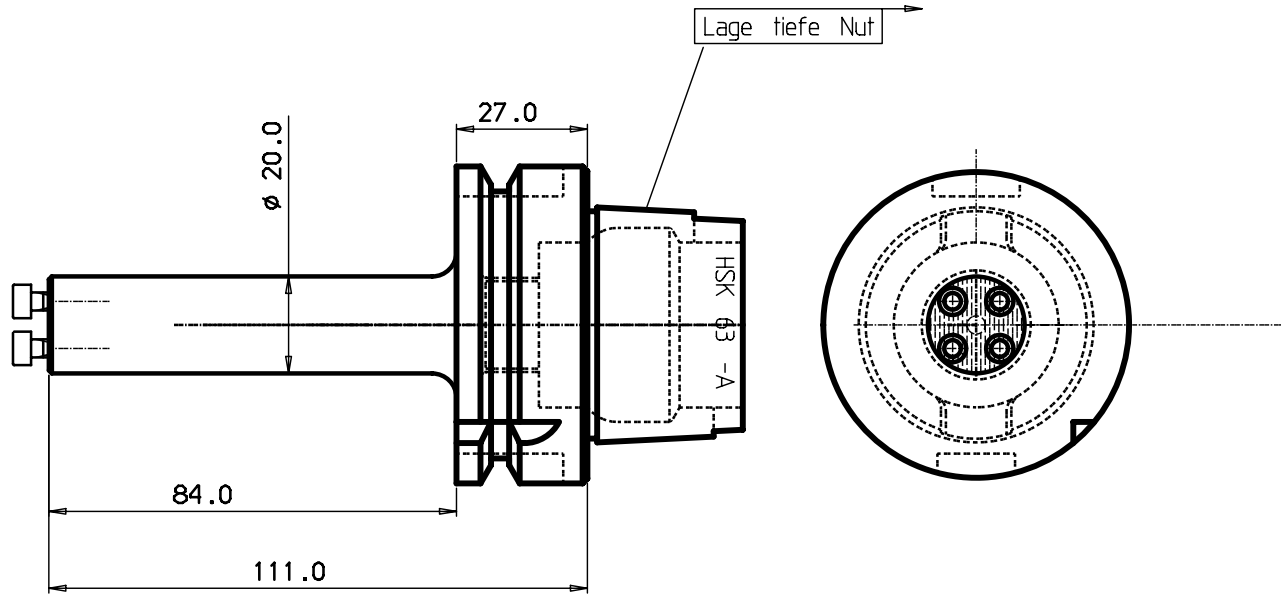


DESIGN OFFICE | DRAWING NUMBER

Show all hidden lines to complete lines of an object
 for clarity reasons the hidden lines of shafts, columns
 are shown in dashed lines

100 mm
 90
 80
 70
 60
 50
 40
 30
 20
 10
 0

MICROFILMED



1		Schaft		MATERIAL AND REMARKS		RELATED DRAWING		LITER.	LSK
CATEGORY	DESIGNED	DRAWN	CHECKED	DATE	SCALE	SUPERSEDES			
TITLE									
<i>Adapter</i>									
REFERENCE		MODIFICATION		ABCDEFGHIJKLMNPRSTUVWXYZ					
		DESIGN OFFICE		DRAWING NUMBER					
<i>HSK63A-570-3C-20111</i>									

Tolerance systems acc to ISO
 Surface roughness Ra um

Where tolerance not stated:
 For threads SS-iso 965/3
 For dimensions SS 715 Medium

Dimension	Tol	Angle (Shortest adjacent side in mm)	Tol
61 - 30	±0.10	10	± 1'
301 - 120	±0.20	10 - 50	± 30'
1201 - 315	±0.50	150 - 120	± 20'
3151 - 1000	±0.80	(120) -	± 10'



340-07000-2

MOD. LOCATION

CHANGE REFERENCE

DATE

SIGN