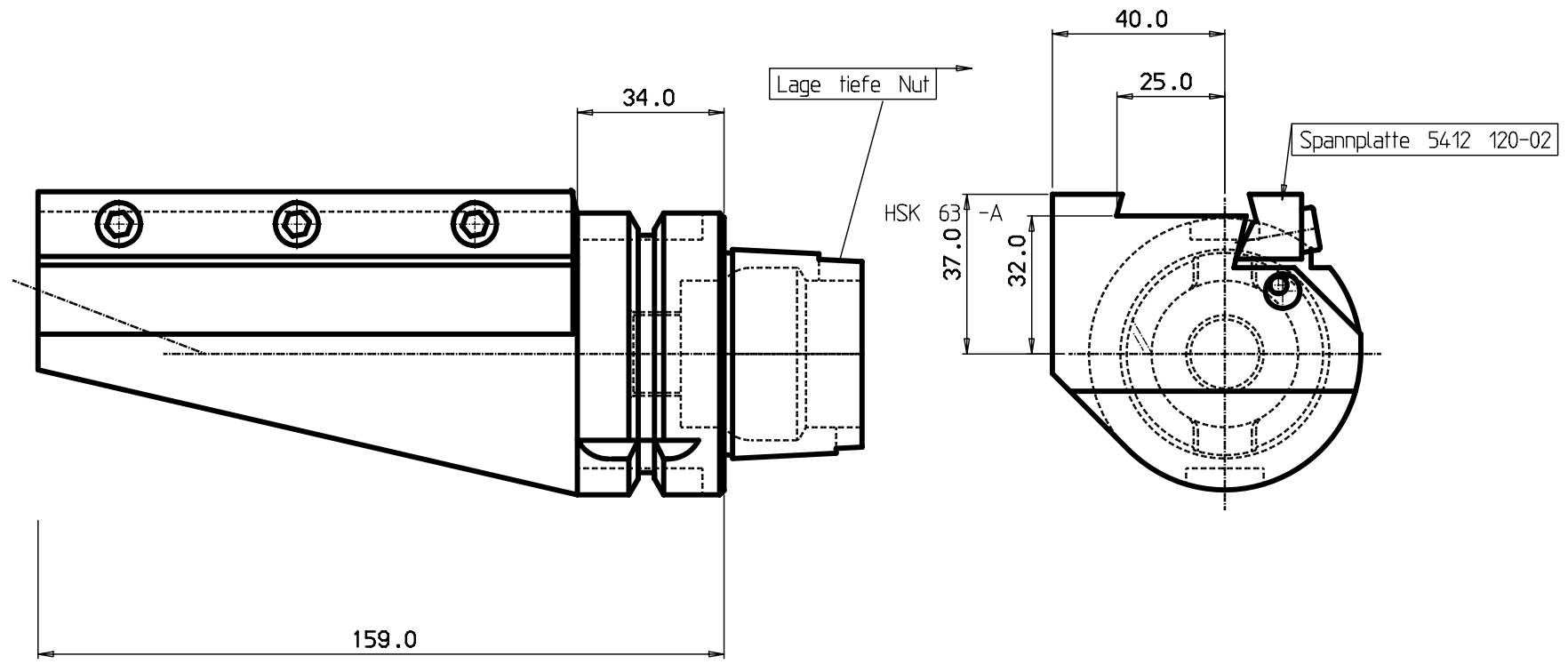


Zeichnung ist Bestandteil der technischen Zeichnung und darf nicht ohne Genehmigung des Zeichners verändert werden.

MICROFILMED

100 mm 90 80 70 60 40 30 20 10 0



6									
5									
4									
3									
2									
1									

ITEM	Q/NTY	DESCRIPTION	MATERIAL	REMARKS	RELATED DRAWING	UNIT	SIZE
CATEGORY	DESIGNED	DRAWN	CHECKED	DATE	SCALE	SUPERSEDES	
TITLE							
<i>Adapter</i>							
REFERENCE							
MODIFICATION	DESIGN OFFICE	DRAWING NUMBER					
HSK63A-APBL-37159-25							

Tolerance systems acc to ISO
Surface roughness Ra um

Where tolerance not stated:
For threads SS-iso 965/3
For dimensions SS 715 Medium

Dimension	Tol	Angle (Shortest adjacent side in mm)	Tol
-6	±0.10	10	± 1'
(6) - 30	±0.20	10	± 30'
(30) - 120	±0.30	(50) - 50	± 20'
(120) - 315	±0.50	(50) - 120	± 10'
(315) - 1000	±0.80	(120) -	

