

340-00100-2

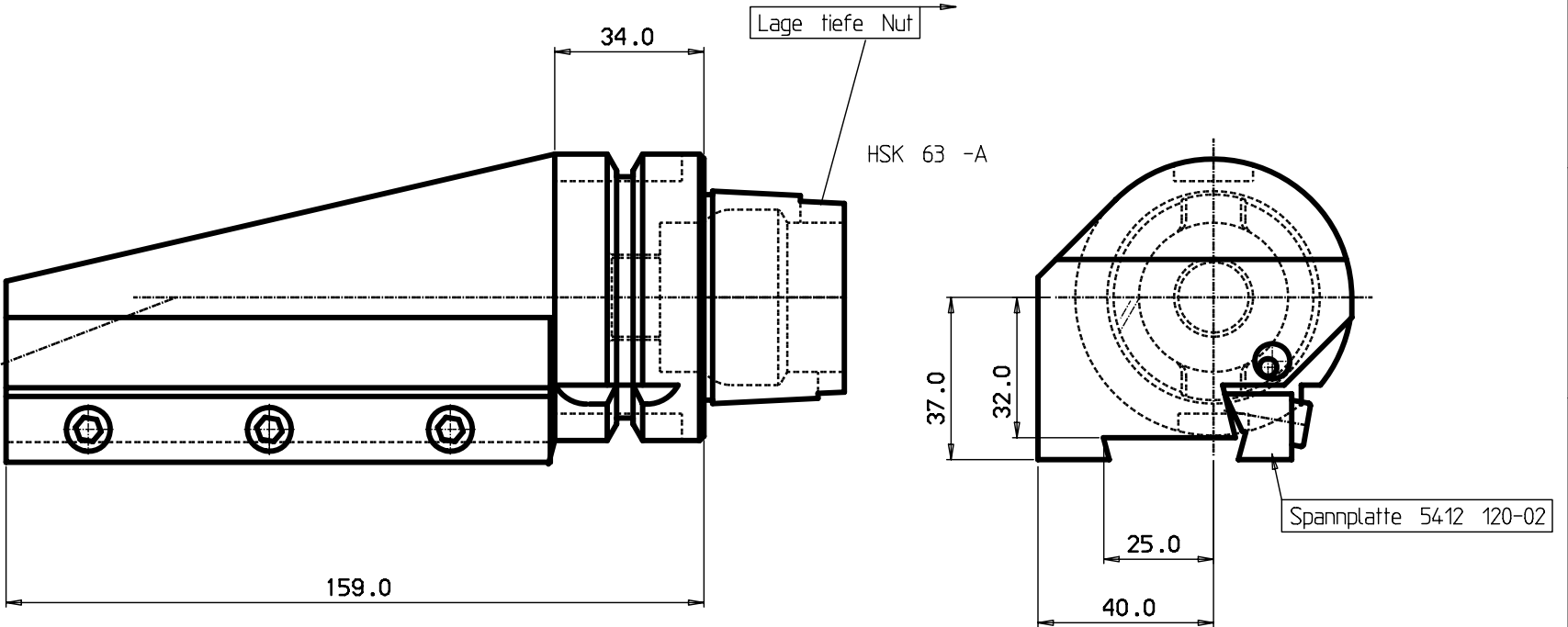
109.0

MODIFICATION	ABCDEFGHIJKLMNPQRSTUWXYZ
DESIGN OFFICE	DRAWING NUMBER
<b>HSK63A-APBR-37159-25</b>	

Shown in parallel view, the complete lines of all that only  
and is not to be used without the permission of the  
This drawing remains the property of HAVRANEK COMPANY

MICROFILMED

100  
90  
80  
70  
60  
40  
30  
20  
10  
0



6									
5									
4									
3									
2									
1									

ITEM	QNTY	DESCRIPTION	MATERIAL	REMARKS	RELATED DRAWING	DATE	SCALE	SUPERSEDES
------	------	-------------	----------	---------	-----------------	------	-------	------------

CATEGORY		DESIGNED	DRAWN	CHECKED	DATE	SCALE	SUPERSEDES
TITLE <i>Adapter</i>							
REFERENCE		MODIFICATION	ABCDEFGHIJKLMNPQRSTUWXYZ				
		DESIGN OFFICE	DRAWING NUMBER				
		<b>HSK63A-APBR-37159-25</b>					



Tolerance systems acc to ISO  
Surface roughness Ra um

Where tolerance not stated  
For threads SS-iso 965/3  
For dimensions SS 715 Medium

Dimension	Tol.	Angle (Shortest adjacent side in mm)	Tol.
6) - 30	+0.10	10	± 1'
(50) - 60	+0.20	10	± 30'
(20) - 315	+0.30	(50) - 50	± 20'
(75) - 1000	+0.50	(50) - 120	± 30'
	+0.80	(20) -	± 30'



340-00100-2

MOD	LOCATION	CHANGE	REFERENCE	DATE	SIGN
-----	----------	--------	-----------	------	------

1 2 3 4 5 6 7 8