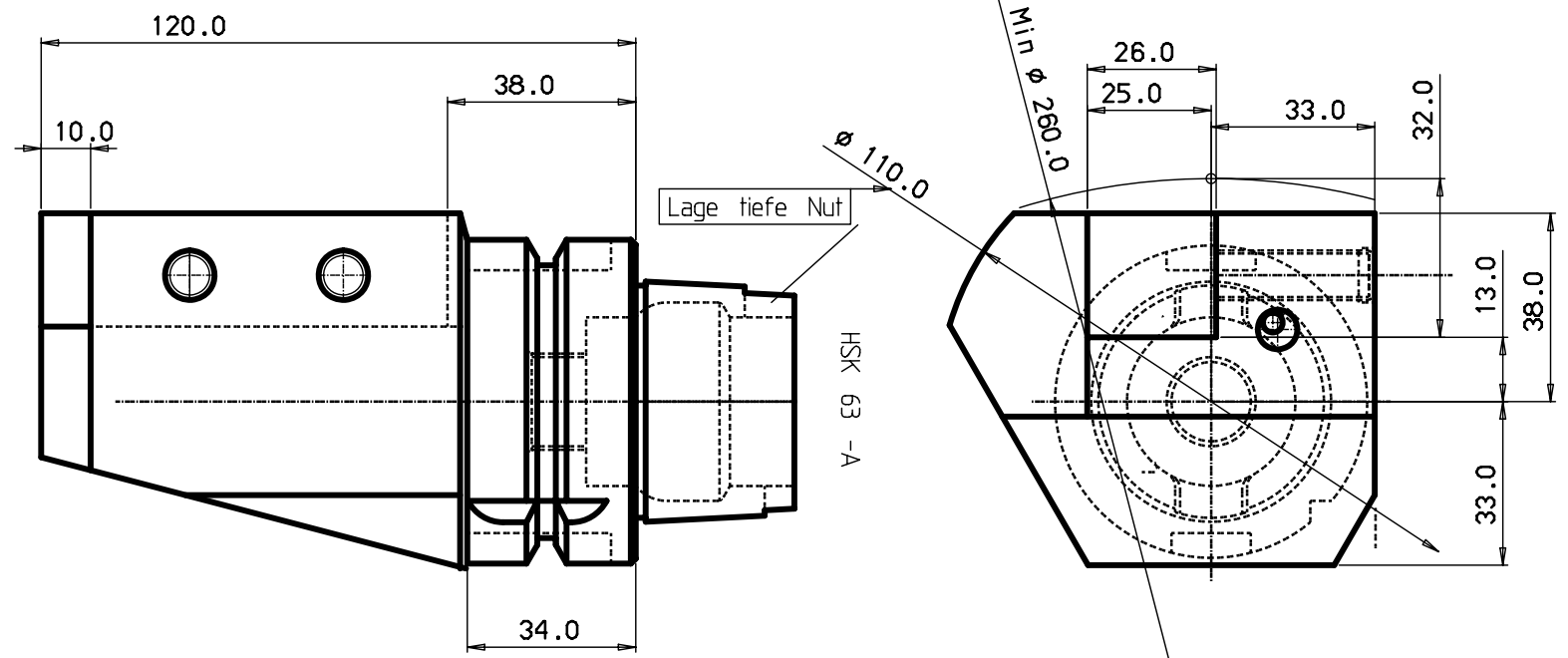


MOD	LOCATION	CHANGE REFERENCE	DATE	SIGN
1		2		3
2		2		3
3		2		3
4		2		3
5		2		3
6		2		3
7		2		3
8		2		3

Spina di livello con flange, fine di un file
 che si può essere creato solo in presenza di un file
 che ha la stessa proprietà di SPINAM (DIN 913)

100 mm
 90
 80
 70
 60
 40
 30
 20
 10
 0

MICROFILMED



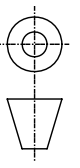
ITEM	QNTY	DESCRIPTION	MATERIAL AND REMARKS	RELATED DRAWING	LITRA	ISSUE
6						
5						
4						
3	1	KM-Duese	5691 029-02			
2	3	Schraube	3214 040-461			
1						

Tolerance systems acc to ISO
 Surface roughness Ra um

Where tolerance not stated:
 For threads SS-iso 965/3
 For dimensions SS 715 Medium

Dimension	Tol	Angle (Shortest adjacent side in mm)	Tol
-6	+0.10	10	± 1'
(6) - 30	+0.20		
(30) - 120	+0.30	(10) - 50	± 30'
(120) - 315	+0.50	(50) - 120	± 20'
(315) - 1000	+0.80	(120) -	± 10'

CATEGORY	DESIGNED	DRAWN	CHECKED	DATE	SCALE	SUPERSEDES
TITLE <i>Adapter</i>						
REFERENCE						
MODIFICATION ABCDEFGHIJKL MNPQRSTU VWXYZ						
DESIGN OFFICE DRAWING NUMBER HSK63A-ASHL-38120-25UNB10						



MOD	LOCATION	CHANGE REFERENCE	DATE	SIGN
1		2		3
2		2		3
3		2		3
4		2		3
5		2		3
6		2		3
7		2		3
8		2		3