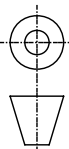


Show of detail are to complete lines if an individual part is to be ordered. Material and processing conditions are to be agreed with the property of the customer.

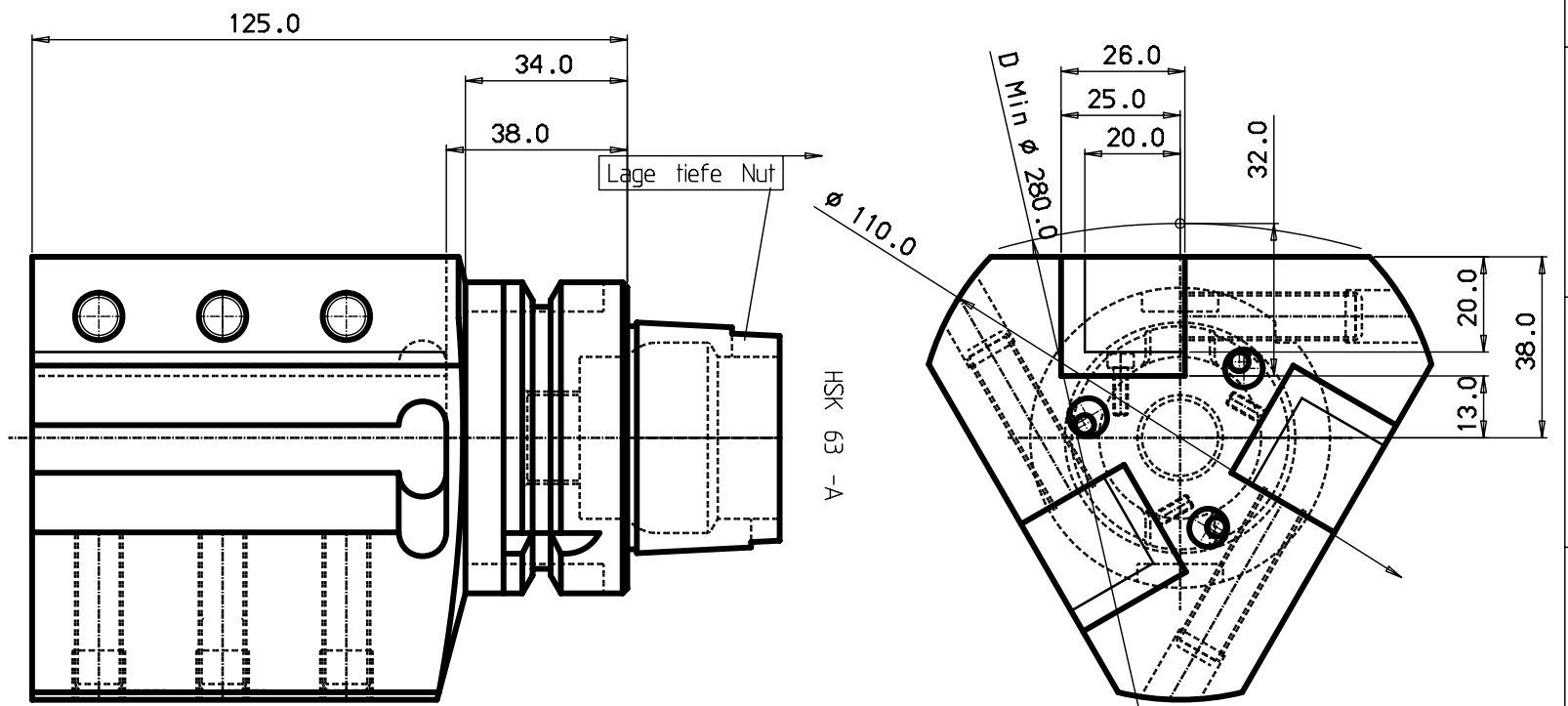
100 mm
 90
80
70
60
40
30
20
10
0

MICROFILMED



340-07000-2

DESIGN OFFICE | DRAWING NUMBER



6							
5							
4							
3	3	KM-Duese			5691	029-02	
2	9	Schraube			3214	040-461	
1							
ITEM	QNTY	DESCRIPTION	MATERIAL AND REMARKS		RELATED DRAWING		ITEM
CATEGORY	DESIGNED	DRAWN	CHECKED	DATE	SCALE	SUPERSEDES	ISSUE
TITLE							
<i>Adapter</i>							
REFERENCE							
MODIFICATION				ABCDEFGHIJKLMNPQRSTUWXYZ			
DESIGN OFFICE				DRAWING NUMBER			
HSK63A-ASHL3-38125-25/20							

Tolerance systems acc to ISO
 Surface roughness Ra um

Where tolerance not stated:
 For threads SS-iso 965/3
 For dimensions SS 715 Medium

Dimension	Tol	Angle (Shortest adjacent side in mm)	Tol
6)	-6		
6)	-30		
6)	-120		
6)	-315		
6)	-1000		
		± 1'	
		± 30'	
		± 20'	
		± 10'	

MOD	LOCATION	CHANGE REFERENCE	DATE	SIGN