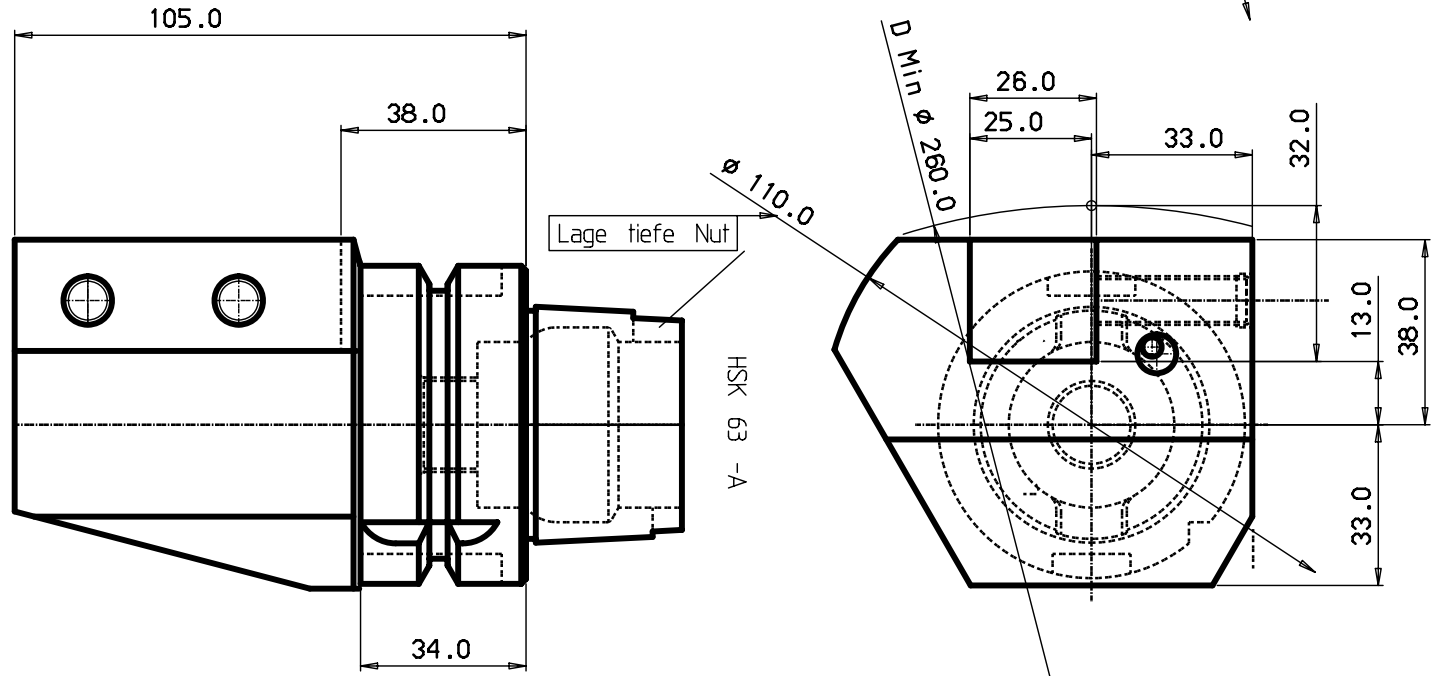


MOD.	LOCATION	CHANGE REFERENCE	DATE	SIGN.
1		2	V	3
		2		3
		4		3
		4		3
		5		3
		5		3
		6		3
		6		3
		7		3
		7		3
		8		3
		8		3

Spine of thread, one to complete the line of 2nd and 3rd
 and 4th to be covered by the 1st and 2nd of 3rd and 4th
 this drawing reserves the property of the SHAWMUT CORPORATION

100 mm
 90
 80
 70
 60
 40
 30
 20
 10
 0

MICROFILMED



HSK 63 -A

6				
5				
4				
3	1	KM-Duese	5691	029-02
2	3	Schraube	3214	040-461
1				

ITEM	QNTY	DESCRIPTION	MATERIAL AND REMARKS	RELATED DRAWING	UTPH	LSSE
CATEGORY	DESIGNED	DRAWN	CHECKED	DATE	SCALE	SUPERSEDES

TITLE
Adapter



REFERENCE	MODIFICATION	DESIGN OFFICE	DRAWING NUMBER
			HSK 63A-ASHL-38105-25

Tolerance systems acc to ISO
 Surface roughness Ra um

Where tolerance not stated:
 For threads SS-iso 965/3
 For dimensions SS 715 Medium

Dimension	Tol	Angle (Shortest adjacent side in mm)	Tol
± 0	± 0,10	± 1°	
(6) - 30	± 0,20	± 30'	
(6) - 120	± 0,30	± 1°	
(120) - 315	± 0,50	± 30'	
(315) - 1000	± 0,80	± 1°	

MOD.	LOCATION	CHANGE REFERENCE	DATE	SIGN.
1		2	V	3
		2		3
		4		3
		4		3
		5		3
		5		3
		6		3
		6		3
		7		3
		7		3
		8		3
		8		3