

MOD.	LOCATION	CHANGE	REFERENCE	DATE	SIGN

side in mm	± 1'	± 20'	± 10'
63 - 30	±0.20	10	± 30'
90 - 120	±0.30	50	± 20'
120 - 315	±0.50	(50) - 120	± 10'
315 - 1000	±0.80	(120) -	± 10'

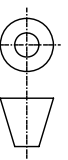
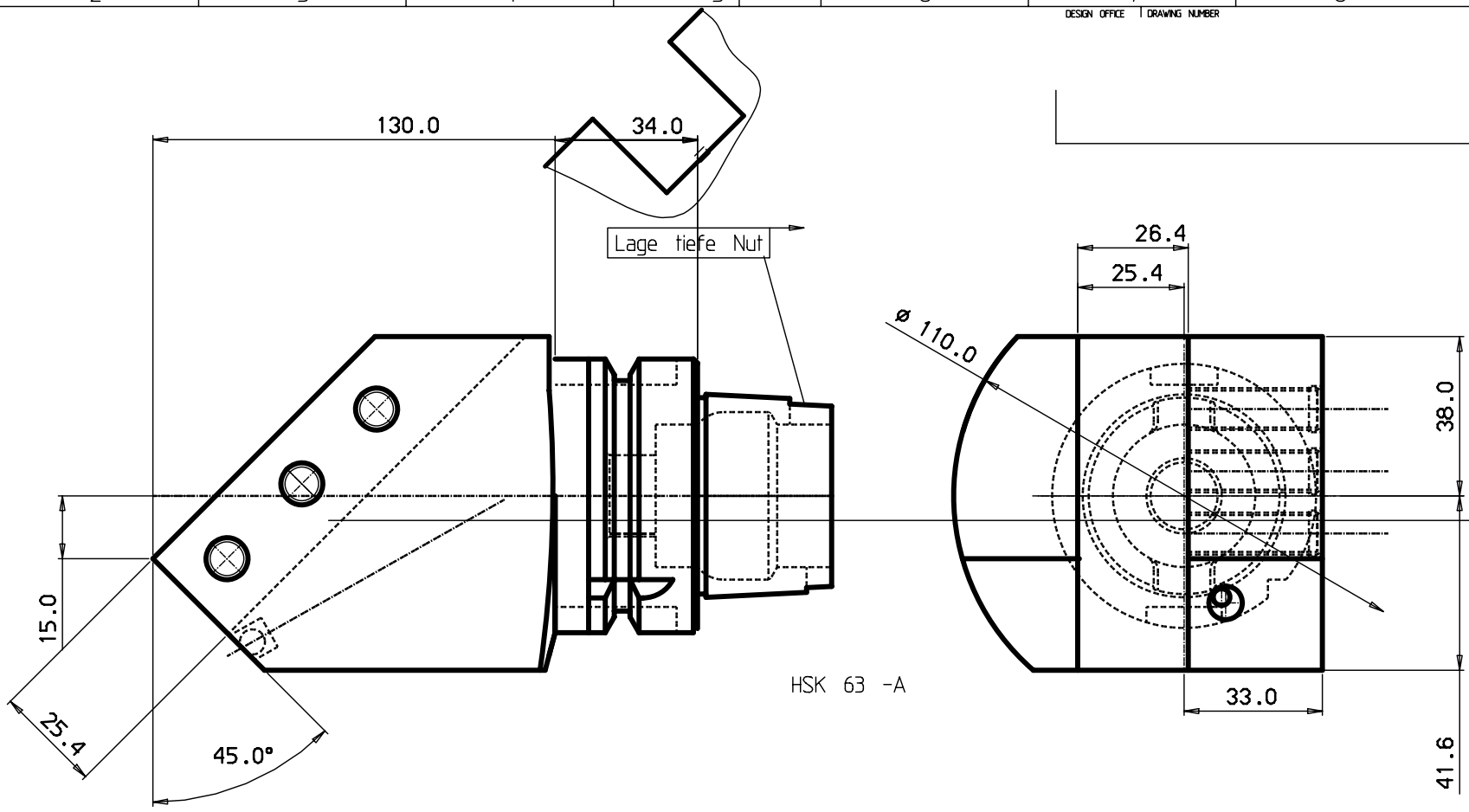
DESIGN OFFICE	DRAWING NUMBER

HSK63A-ASHL45-15130-1 Inch

Show a detail view to complete the view of an object and to indicate the location of the detail. This drawing shows the property of the drawing.

MICROFILMED

100 mm
 90
 80
 70
 60
 40
 30
 20
 10
 0



MOD.	LOCATION	CHANGE	REFERENCE	DATE	SIGN

Tolerance systems acc to ISO
 Surface roughness Ra um

Where tolerance not stated:
 For threads SS-iso 965/3
 For dimensions SS 715 Medium

Dimension	Tol	Angle (Shortest adjacent side in mm)	Tol
63 - 30	±0.10	10	± 1'
90 - 120	±0.20	10	± 30'
120 - 315	±0.30	(50) - 120	± 20'
315 - 1000	±0.50	(120) -	± 10'

ITEM	QNTY	DESCRIPTION	MATERIAL AND REMARKS	RELATED DRAWING	LITH	ISIRI
6						
5						
4						
3	1	KM-Duese	5691 029-02			
2	3	Schraube	3214 040-461			
1						

CATEGORY	DESIGNED	DRAWN	CHECKED	DATE	SCALE	SUPERSEDES

TITLE: **Adapter**

REFERENCE: _____

MODIFICATION: _____

DESIGN OFFICE: _____ DRAWING NUMBER: _____

HSK63A-ASHL45-15130-1 Inch

