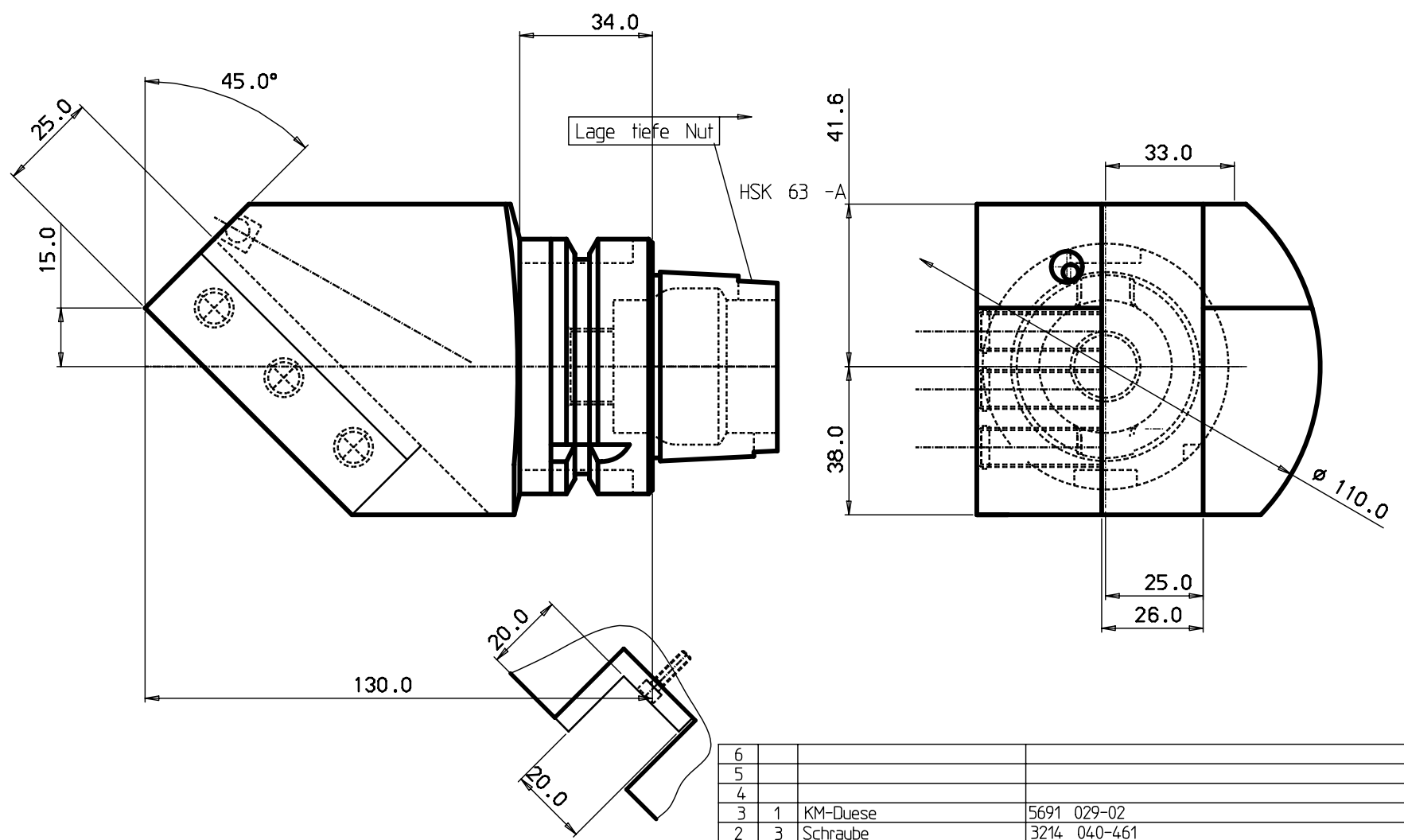


Show all hidden lines in perspective views of any part  
 and in all views of any assembly of parts, unless  
 the drawing shows the contrary.

MICROFILMED

100 mm  
 90  
 80  
 70  
 60  
 40  
 30  
 20  
 10  
 0



DESIGN OFFICE | DRAWING NUMBER

6					
5					
4					
3	1	KM-Duese		5691	029-02
2	3	Schraube		3214	040-461
1					

ITEM	QNTY	DESCRIPTION	MATERIAL AND REMARKS	RELATED DRAWING	LITM	LSZ
CATEGORY	DESIGNED	DRAWN	CHECKED	DATE	SCALE	SUPERSEDES

Tolerance systems acc to ISO  
 Surface roughness Ra um

Where tolerance not stated:  
 For threads SS-iso 965/3  
 For dimensions SS 715 Medium

Dimension	Tol	Angle (Shortest adjacent side in mm)	Tol
-6	+0.10	10	± 1'
(6) - 30	+0.20	10	± 30'
(30) - 120	+0.30	10	± 20'
(120) - 315	+0.50	(50) - 120	± 20'
(315) - 1000	+0.80	(120) -	± 30'


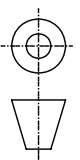
REFERENCE: ABCDEFGHIJKLMNOPQRSTUVWXYZ

MODIFICATION: ABCDEFGHIJKLMNOPQRSTUVWXYZ

DESIGN OFFICE | DRAWING NUMBER

**Adapter**

**HSK63A-ASHL45-15130-25-UBKO**

340-01000-2

MOD. LOCATION CHANGE REFERENCE DATE SIGN