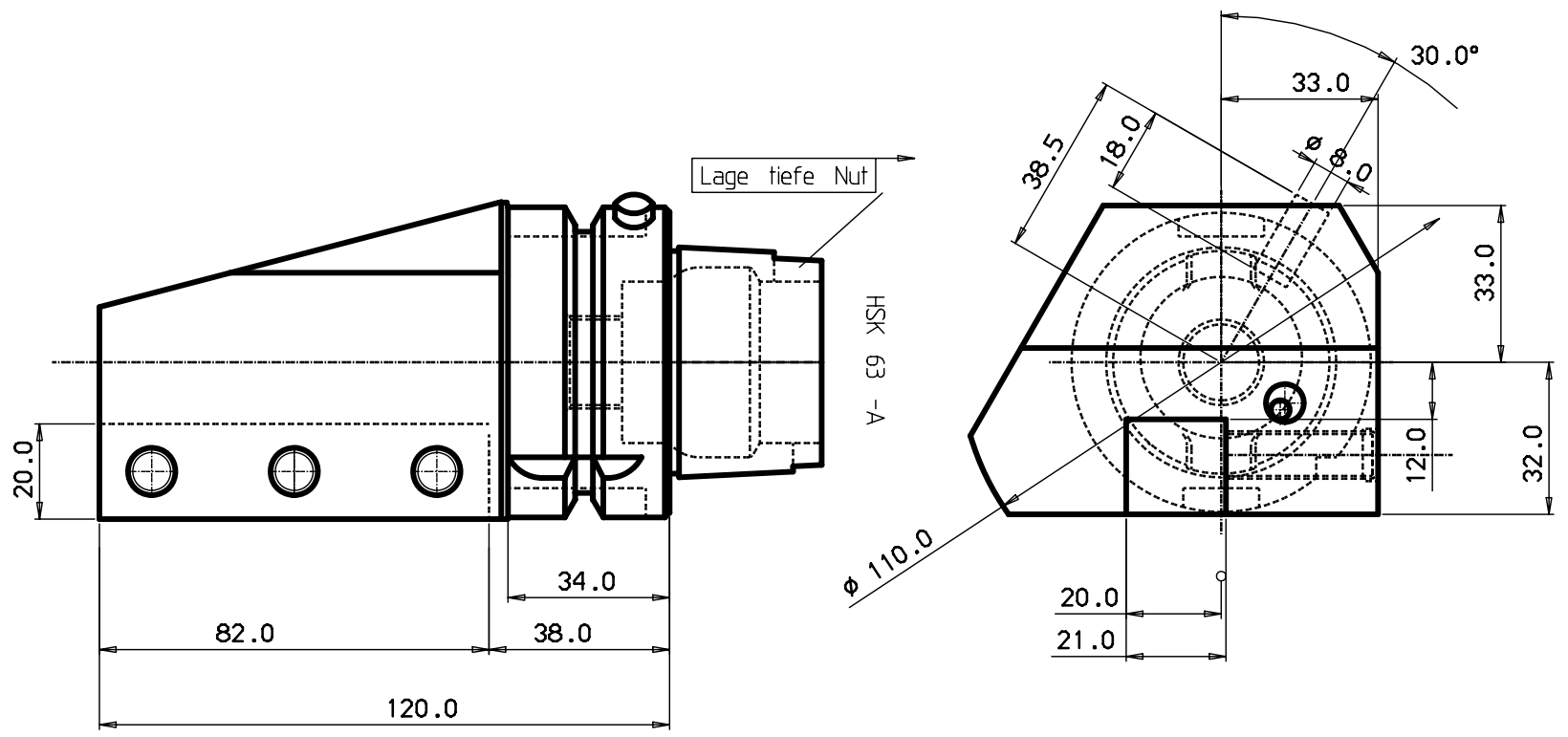


Show all hidden lines in perspective views of the parts  
 and in perspective views of assemblies.  
 This drawing remains the property of HAVRANEK COMPANY

DESIGN OFFICE | DRAWING NUMBER

100 mm  
 90  
 80  
 70  
 60  
 40  
 30  
 20  
 10  
 0

MICROFILMED



6							
5							
4							
3	1	KM-Duese			5691	029-02	
2	3	Schraube			3214	040-461	
1							

ITEM	QNTY	DESCRIPTION	MATERIAL	REMARKS	RELATED DRAWING	LITER.	SIZE
DESIGNED	DRAWN	CHECKED	DATE	SCALE	SUPERSEDES		

TITLE: *Adapter*

REFERENCE: ABCDEFGHIJKLMNOPQRSTUVWXYZ

MODIFICATION: HSK63A-ASHR-32120-20-STI

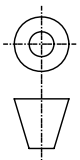
DESIGN OFFICE | DRAWING NUMBER



Tolerance systems acc to ISO  
Surface roughness Ra um

Where tolerance not stated:  
For threads SS-iso 965/3  
For dimensions SS 715 Medium

Dimension	Tol	Angle (Shortest adjacent side in mm)	Tol
-6	+0.10	10	± 1'
(6) - 30	+0.20		± 30'
(30) - 120	+0.30	(10) - 50	± 20'
(120) - 315	+0.50	(50) - 120	
(315) - 1000	+0.80	(120) -	



340-07010-2

MOD.	LOCATION	CHANGE REFERENCE	DATE	SIGN