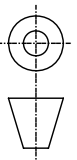


Show of holes over the complete length of the part only
 and it is covered with an appropriate film or paper
 and this drawing remains the property of the SHAWK COMPANY

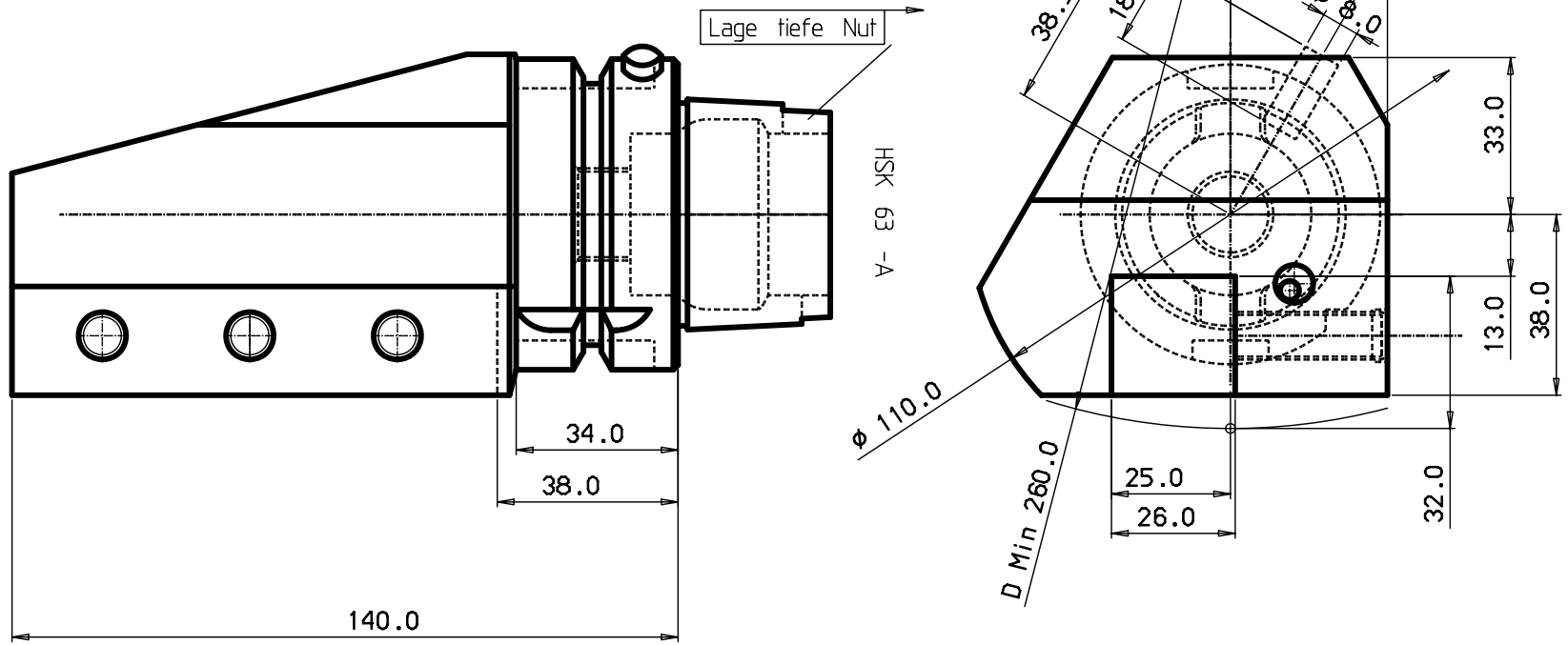
100
90
80
70
60
40
30
20
10
0

MICROFILMED



340-0000-2

DESIGN OFFICE | DRAWING NUMBER



6					
5					
4					
3	1	KM-Duese		5691	029-02
2	3	Schraube		3214	040-461
1					
ITEM	QNTY	DESCRIPTION	MATERIAL AND REMARKS	RELATED DRAWING	LIBR

CATEGORY	DESIGNED	DRAWN	CHECKED	DATE	SCALE	SUPERSEDES
TITLE						
<i>Adapter</i>						
REFERENCE	MODIFICATION	ABCDEFGHIJKLMNPQRSTUWXYZ				
	DESIGN OFFICE	DRAWING NUMBER				
	HSK63A-ASHR-38140-25-sti					



Tolerance systems acc to ISO				
Surface roughness Ra um				
Where tolerance not stated: For threads SS-iso 965/2 For dimensions SS 715 Medium				
Dimension	Tol	Angle (Shortest adjacent side in mm)	Tol	
(6) - 30	±0.10	10	± 1'	
(30) - 120	±0.20	(60) - 50	± 30'	
(120) - 315	±0.30	(120) - 120	± 20'	
(315) - 1000	±0.50		± 30'	
	±0.80		± 40'	
MOD	LOCATION	CHANGE REFERENCE	DATE	SIGN