

5

6

7

8

DESIGN OFFICE | DRAWING NUMBER

A

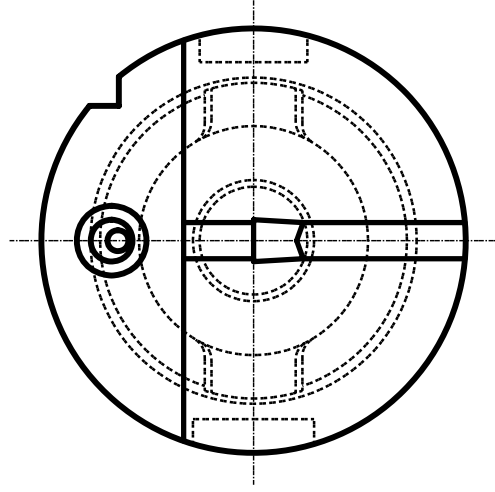
B

C

D

E

F



Ø 63.0
HSK 63 -A

Lage tiefe Nut

65.0°

77.0

6.0

27.3

21.3

25.1

Pl.Gr. "K"

10.0

to ISO

Ra um i

ed:

medium

Angle
of first adjacent
side in mm)

10

30

50

120

Tol
± 1'
± 30'
± 20'
± 10'

ITEM	QNTY	DESCRIPTION	MATERIAL AND REMARKS	RELATED DRAWING	SCALE	DATE	CHECKED	DRAWN	DESIGNED	DESIGN NUMBER	ITEM	SIZE
TITLE												
REFERENCE												
<p style="text-align: center;"><i>Schneidkopf</i></p>												
<p style="text-align: center;">MODIFICATION ABCDEFGHIJKLIMNPRSTUVXYZ DESIGN OFFICE DRAWING NUMBER HSK63A-NF123K25-00077-B</p>												



5

6

4

7

8