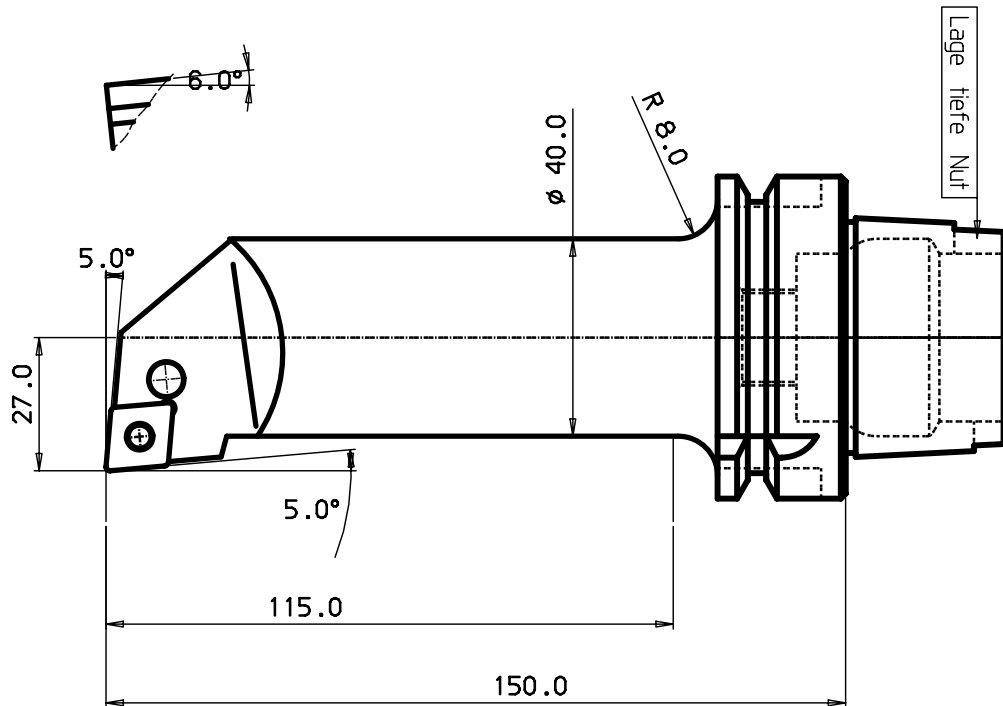


Show a hatched area in complete cross or in half only  
 and a cut in the area where an extension of a hatched  
 line clearly shows the property of the hatched object

DESIGN OFFICE | DRAWING NUMBER

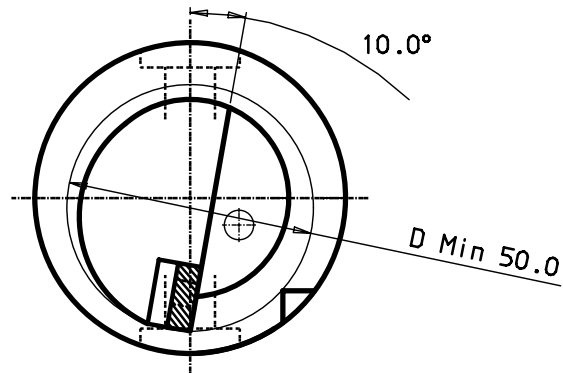
100 mm  
 90  
 80  
 70  
 60  
 40  
 30  
 20  
 10  
 0

MICROFILMED



Lage tiefe Nut

HSK 63 -A



*HM-Platte CN. 120408*

5	Schraube	174.3-821
4	Rohrstift	174.3-861
3	Unterlage	171.31-850M
2	Kniehebel	174.3-841M
1	Schaft	

ITEM	QNTY	DESCRIPTION	MATERIAL AND REMARKS	RELATED DRAWING	LITH	ISS
CATEGORY	DESIGNED	DRAWN	CHECKED	DATE	SCALE	SUPERSEDES

TITLE

*Schneidkopf*



REFERENCE	MODIFICATION	[ABCDEFGHIJKLMNPQRSTUWXYZ]
	DESIGN OFFICE	DRAWING NUMBER

**HSK63A-PCLNR-27150-12**

Tolerance systems acc to ISO  
 Surface roughness Ra um

Where tolerance not stated:  
 For threads SS-iso 965/3  
 For dimensions SS 715 Medium

Dimension	Tol	Angle (Shortest adjacent side in mm)	Tol
-6	±0.10	10	± 1'
(6) - 30	±0.20	10	± 30'
(30) - 120	±0.30	10	± 30'
(120) - 315	±0.50	10	± 30'
(315) - 1000	±0.80	10	± 30'