

5

6

7

8

DESIGN OFFICE | DRAWING NUMBER

A

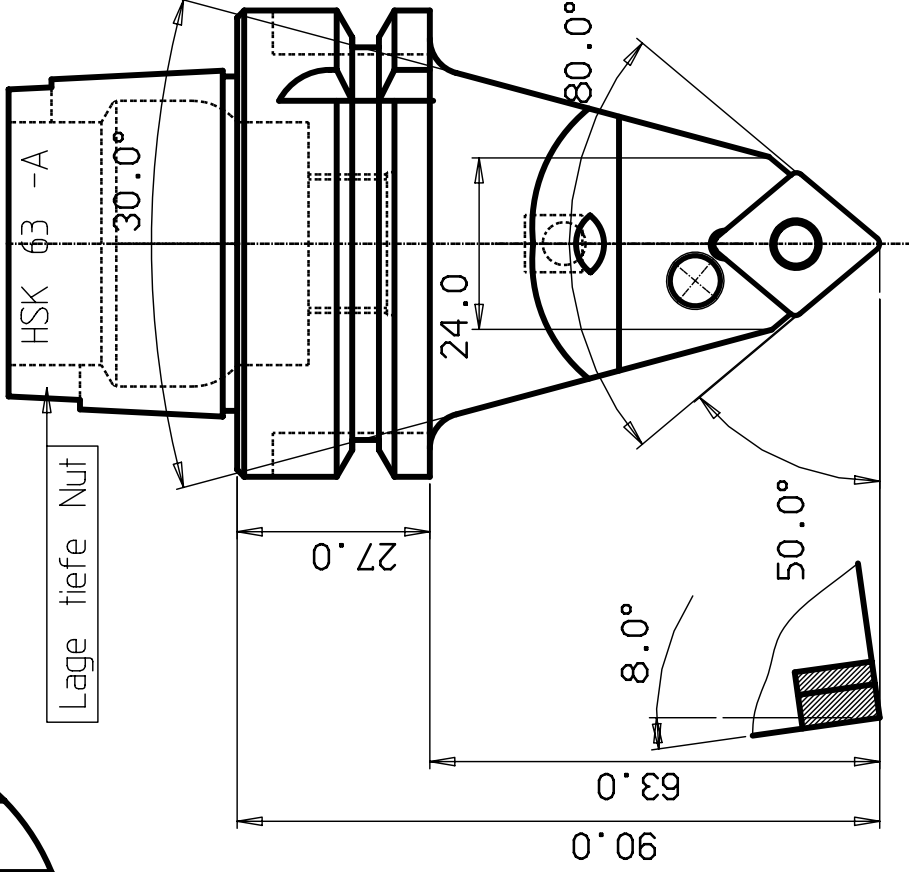
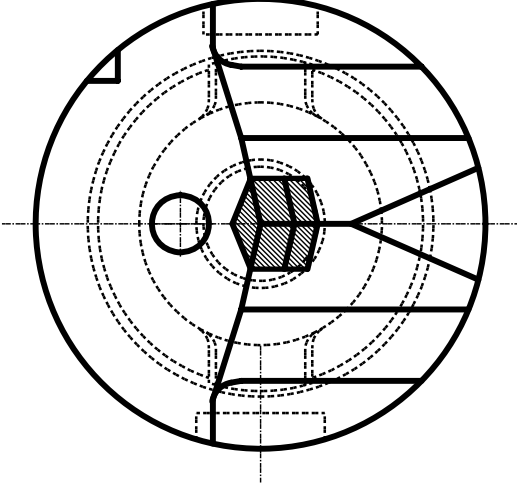
B

C

D

E

F



HM-Platte CNMG 160608

5	Schraube	438.3-831
4	Rohrstift	174.3-864
3	Unterlage	171.31-852
2	Knihebel	438.3-840
1	Schaft	

ITEM	QNTY	DESCRIPTION	MATERIAL AND REMARKS	RELATED DRAWING	LIBR	SIZE
CATEGORY	DESIGNED	DRAWN	CHECKED	DATE	SCALE	SUPERSEDES

TITLE

Schneidkopf



REFERENCE	MODIFICATION	ABCDEFGHIJKLMNPQRSTUWXYZ
	DESIGN OFFICE	DRAWING NUMBER

HSK63A-PCMNN-00090-16

5

6

7

8