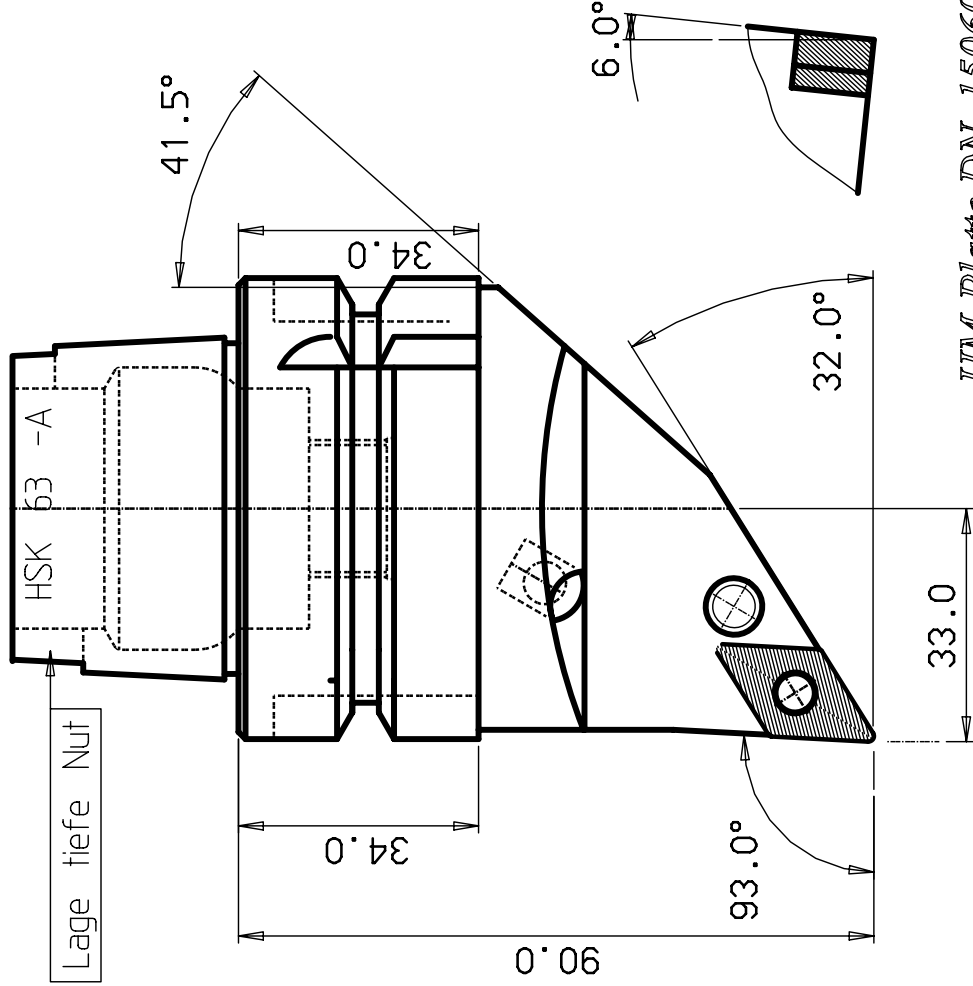


7.0°  
D Min  $\phi$  270.0



Lage tiefe Nut

HSK 63 -A

HM-Platte DN..150608

5	1	Schraube	174.3-830
4	1	Rohrstift	174.3-861
3	1	Unterlage	171.35-855
2	1	Kilhebel	174.3-847M

ITEM	QTY	DESCRIPTION	MATERIAL AND REMARKS	RELATED DRAWING	ITEM	SIZE
CATEGORY	DESIGNED	DRAWN	CHECKED	DATE	SCALE	SUPERSEDES

TITLE

Schneidkopf



REFERENCE	MODIFICATION	ABCDEFGHIJKLIMNPRSTUVXYZ
	DESIGN OFFICE	DRAWING NUMBER

HSK63A-PDJNL-03390-15