

MOD. LOCATION	CHANGE REFERENCE	DATE	SIGN	<table border="1"> <tr> <td>100</td> <td>- 120</td> <td>+0.30</td> </tr> <tr> <td>120</td> <td>- 315</td> <td>+0.50</td> </tr> <tr> <td>315</td> <td>- 1000</td> <td>+0.80</td> </tr> </table>	100	- 120	+0.30	120	- 315	+0.50	315	- 1000	+0.80	<table border="1"> <tr> <td>100</td> <td>- 120</td> <td>+ 1'</td> </tr> <tr> <td>120</td> <td>- 315</td> <td>+ 30'</td> </tr> <tr> <td>315</td> <td>- 1000</td> <td>+ 50'</td> </tr> </table>	100	- 120	+ 1'	120	- 315	+ 30'	315	- 1000	+ 50'	DESIGN OFFICE	DRAWING NUMBER
100	- 120	+0.30																							
120	- 315	+0.50																							
315	- 1000	+0.80																							
100	- 120	+ 1'																							
120	- 315	+ 30'																							
315	- 1000	+ 50'																							

HSK63A-PDUNR-27150-15

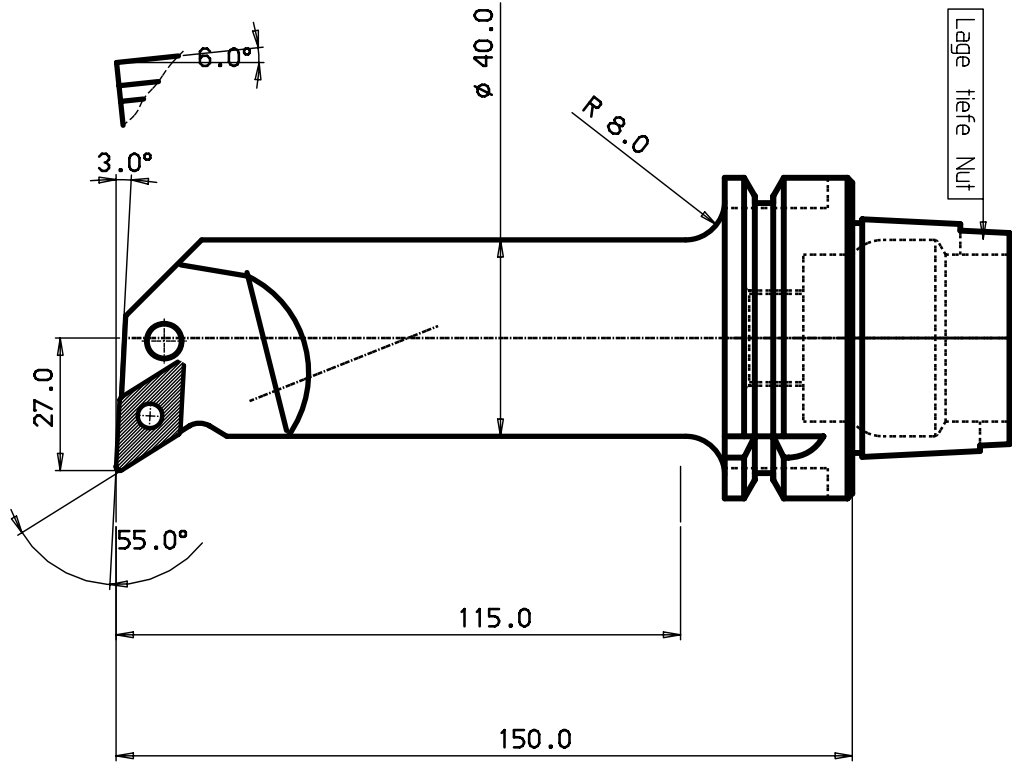
1	2	3	4	5	6	7	8
---	---	---	---	---	---	---	---

DESIGN OFFICE	DRAWING NUMBER
---------------	----------------

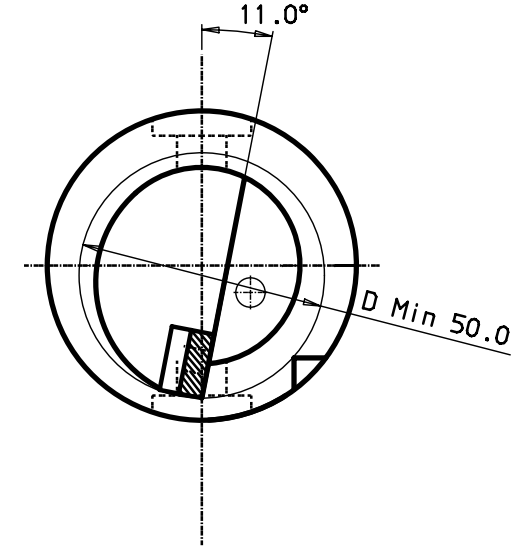
SHOWN OF HATCHED AREA IN DIMENSIONED PARTS OF THIS DRAWING  
 ARE TO BE UNDERSTOOD AS NOT TO BE PART OF THE DRAWING UNLESS THE PROPERTY OF THE DRAWING IS SPECIFICALLY  
 INDICATED OTHERWISE

MICROFILMED

100  
90  
80  
70  
60  
40  
30  
20  
10  
0



HSK 63 -A



HM-Platte DN.. 1506..

5	1	Schraube	174.3-830
4	1	Rohrstift	174.3-861
3	1	Unterlage	171.35-855
2	1	Knihebel	174.3-847M

ITEM	QNTY	DESCRIPTION	MATERIAL AND REMARKS	RELATED DRAWING	LITRM	LSRK
CATEGORY	DESIGNED	DRAWN	CHECKED	DATE	SCALE	SUPERSEDES

Tolerance systems acc to ISO  
Surface roughness Ra um

Where tolerance not stated  
For threads SS-iso 965/3  
For dimensions SS 715 Medium

Dimension	Tol	Angle (Shortest adjacent side in mm)	Tol
6	+0.10		
30	+0.20		
60	+0.30		
120	+0.50		
315	+0.80		
1000			

Schneidkopf



REFERENCE	MODIFICATION	AB	C	D	E	F	G	H	I	J	K	L	M	N	P	R	S	T	U	V	X	Y	Z
	DESIGN OFFICE	DRAWING NUMBER																					

HSK63A-PDUNR-27150-15

1	2	3	4	5	6	7	8
---	---	---	---	---	---	---	---