

5

6

7

8

DESIGN OFFICE | DRAWING NUMBER

A

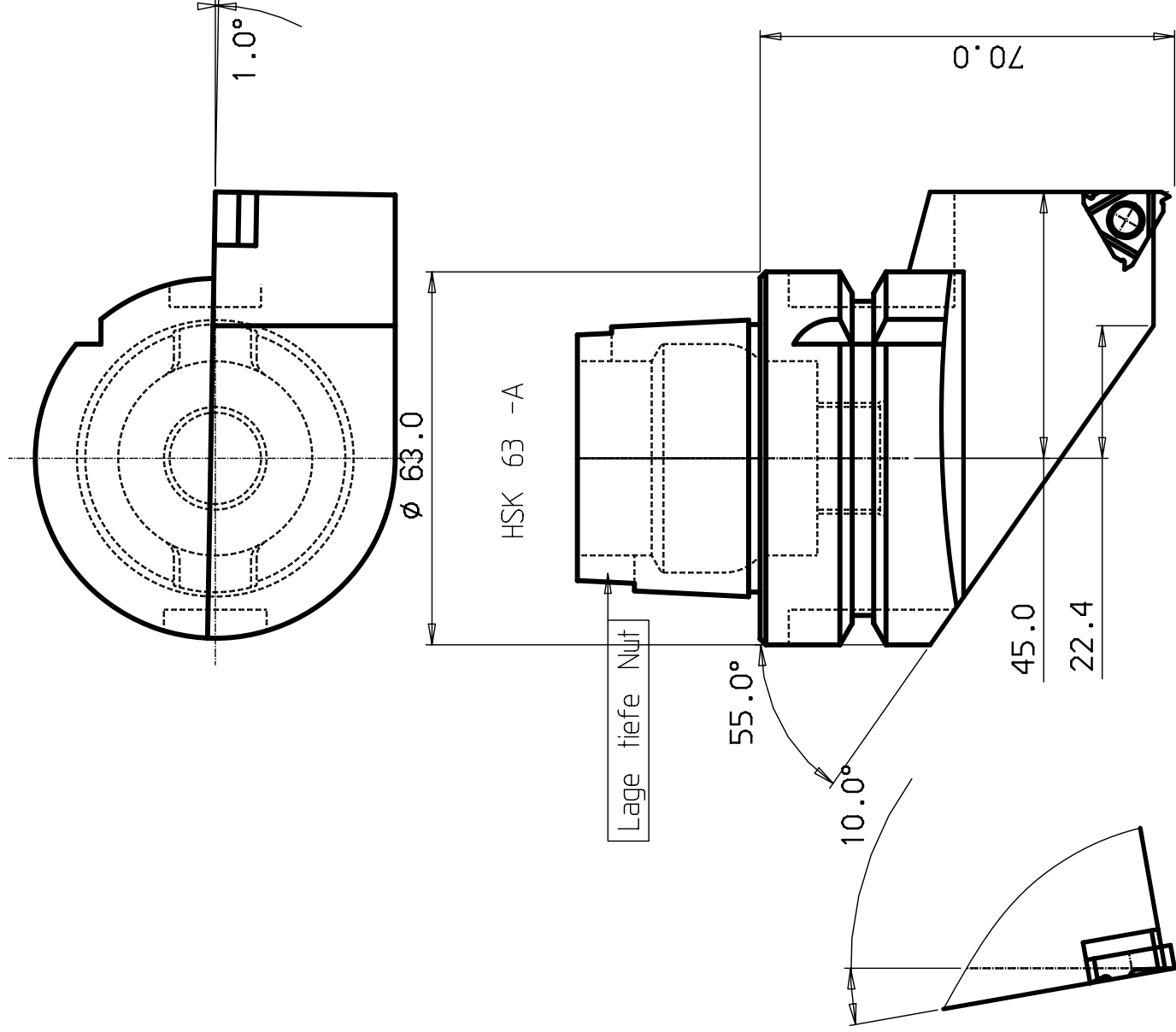
B

C

D

E

F



*HM-Platte 16mm*

ITEM	QNTY	DESCRIPTION	MATERIAL AND REMARKS	RELATED DRAWING	SCALE	SUPERSEDES	LITERA	SIZE
acc to ISO								

**Schneidkopf**

MODIFICATION | ABCDEFGHIJKLMPQRSTUWXYZ  
 DESIGN OFFICE | DRAWING NUMBER  
**HSK63A-R166.4FG-45070-16**



Ra um i

stated: 5/3

15 Medium

Angle (Shortest adjacent side in mm)

(10) - 50	± 1'
(50) - 120	± 30'
(120) -	± 20'
	± 10'

Tol.

5

6

7

8