

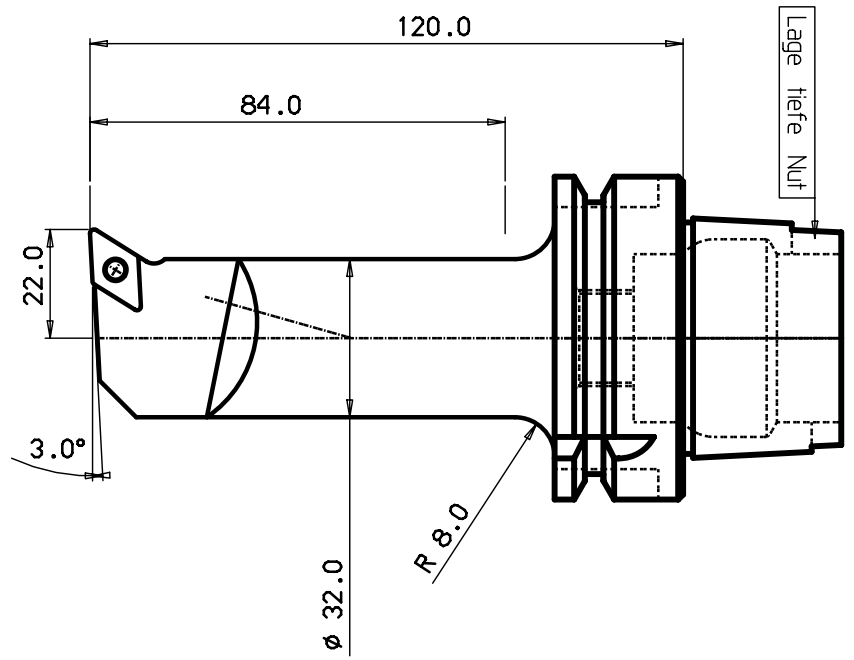
340-07000-2	MOD. LOCATION	CHANGE REFERENCE	DATE	SIGN	1	2	3	4	5	6	7	8
					1	2	3	4	5	6	7	8

DESIGN OFFICE | DRAWING NUMBER

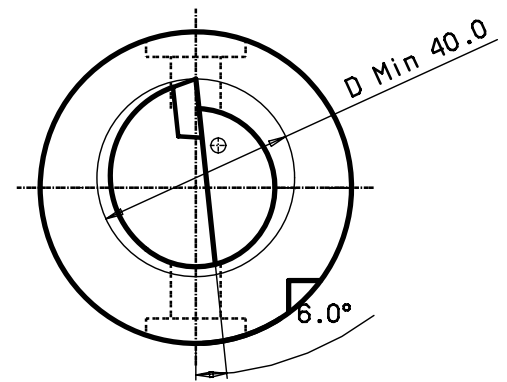
Show a detail view to complete the drawing of the part and its details. If the detail view is not shown, the drawing is not complete. This drawing is the property of HAVRANEK.

100 mm
 90
 80
 70
 60
 40
 30
 20
 10
 0

MICROFILMED

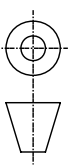


HSK 63 -A



HM-Platte DCMT 11T308

4	1				
3	1				
2	1	Schraube f. Platte			5513 020-10 M3.5
1					



340-07000-2	MOD. LOCATION	CHANGE REFERENCE	DATE	SIGN	1	2	3	4	5	6	7	8
					1	2	3	4	5	6	7	8

Tolerance systems acc to ISO
 Surface roughness Ra um

Where tolerance not stated:
 For threads SS-iso 965/3
 For dimensions SS 715 Medium

Dimension	Tol	Angle adjacent side in mm	Tol
(6) - 30	±0.10	10	± 1'
(30) - 120	±0.20	10	± 20"
(120) - 315	±0.30	(50) - 120	± 30"
(315) - 1000	±0.50	(120) -	± 50"

ITEM	QNTY	DESCRIPTION	MATERIAL AND REMARKS	RELATED DRAWING	ITEM	SIZE
CATEGORY	DESIGNED	DRAWN	CHECKED	DATE	SCALE	SUPERSEDES
TITLE						
Schneidkopf						
REFERENCE				MODIFICATION	ABCDEFGHIJKLMNPRSTUVWXYZ	
				DESIGN OFFICE	DRAWING NUMBER	
HSK63A-SDUCL-22120-11						

