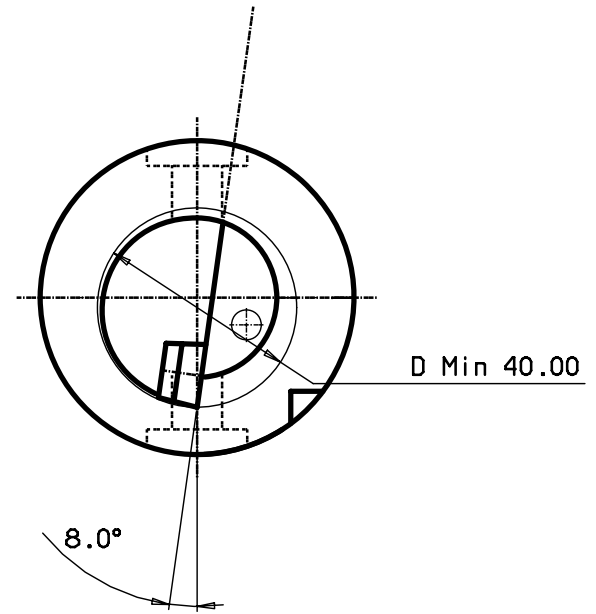
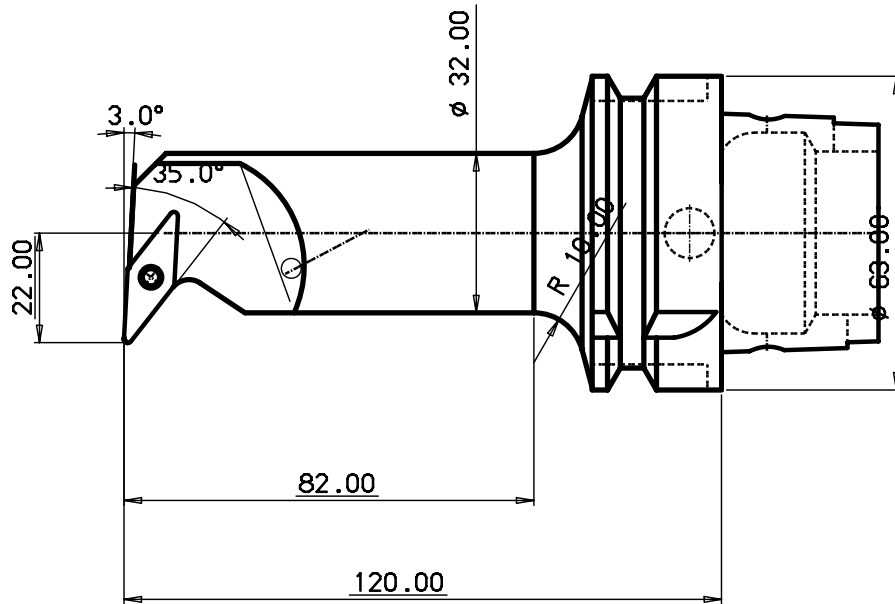


When a part is not dimensioned, it is not to be dimensioned. The drawing conveys the property of the part.

DESIGN OFFICE | DRAWING NUMBER



100 mm
 90
 80
 70
 60
 40
 30
 20
 10
 0

MICROFILMED

HM-Platte VBMT 160404

ITEM	QNTY	DESCRIPTION	MATERIAL AND REMARKS	RELATED DRAWING	UNIT	ISSUE
4	1	Schraube f. Zw			5512 090-01	
3	1	Zwischenlage			5322 270-01	
2	1	Schraube f. Platte			5513 020-01 I	
1						

CATEGORY	DESIGNED	DRAWN	CHECKED	DATE	SCALE	SUPERSEDES
TITLE	Schneidkopf Cutting-Unit					

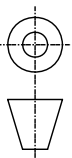


REFERENCE	MODIFICATION	DESIGN OFFICE	DRAWING NUMBER
	AB C D E F G H J K L M N P R S T U V X Y Z		HSK63A-SVUBR-2232120-16

Tolerance systems acc to ISO
Surface roughness Ra um

Where tolerance not stated:
For threads SS-iso 965/3
For dimensions SS 715 Medium

Dimension	Tol	Angle (Shortest adjacent side in mm)	Tol
60 - 30	±0.10	10	± 1'
60 - 60	±0.20	10	± 30'
120 - 315	±0.30	150 - 50	± 20'
615 - 1000	±0.50	150 - 120	± 20'
	±0.80	120 -	± 10'



340-0000-2

MOD	LOCATION	CHANGE REFERENCE	DATE	SIGN