

5

6

7

8

DESIGN OFFICE | DRAWING NUMBER

A

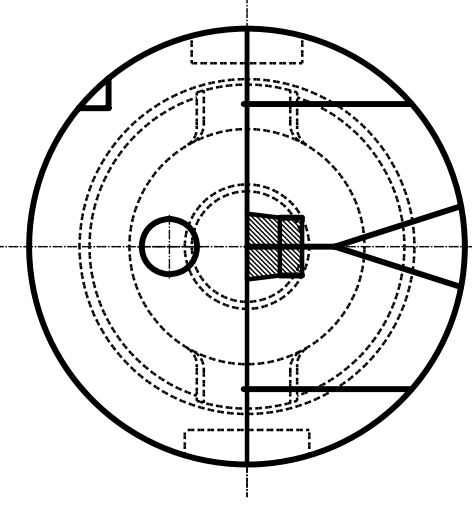
B

C

D

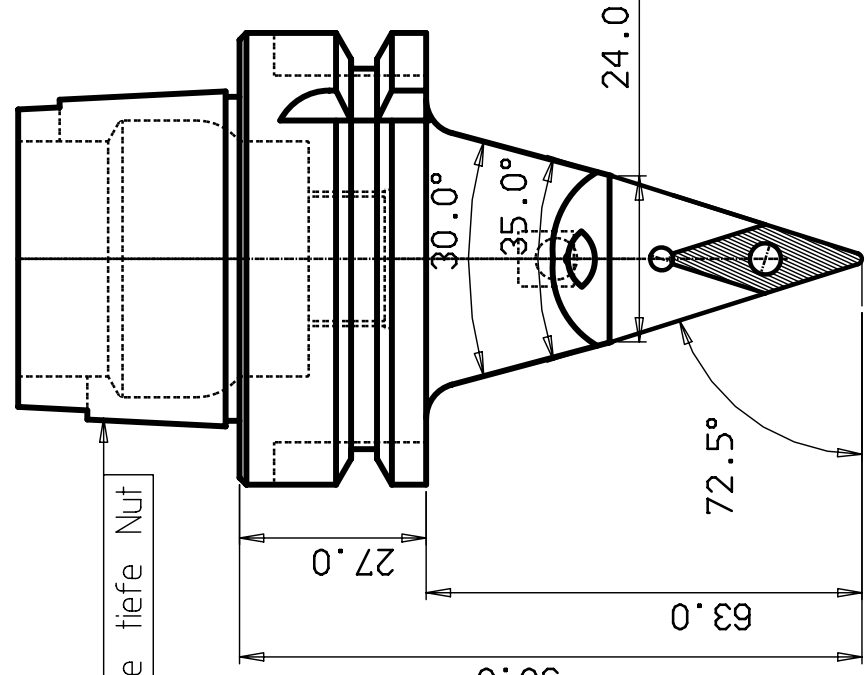
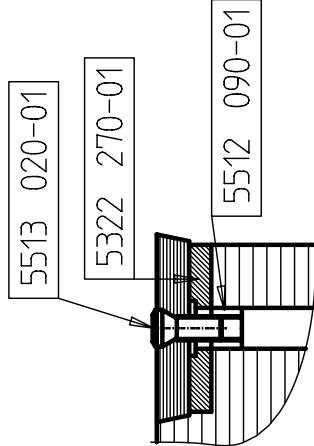
E

F



HSK 63 -A

Lage tiefe Nut



HM-Platte VCMT16T308

ITEM	QNTY	DESCRIPTION	MATERIAL AND REMARKS	RELATED DRAWING	SCALE	DATE	CHECKED	DRAWN	DESIGNED	DESIGNED	DATE	SCALE	SUPERSEDES	ITEM	SIZE

TITLE

Schneidkopf



REFERENCE

MODIFICATION | ABCDEFGHIJKLMNOPRSTUVWXYZ  
DESIGN OFFICE | DRAWING NUMBER

HSK63A-SVVCN-00090-16

5

6

4

7

8