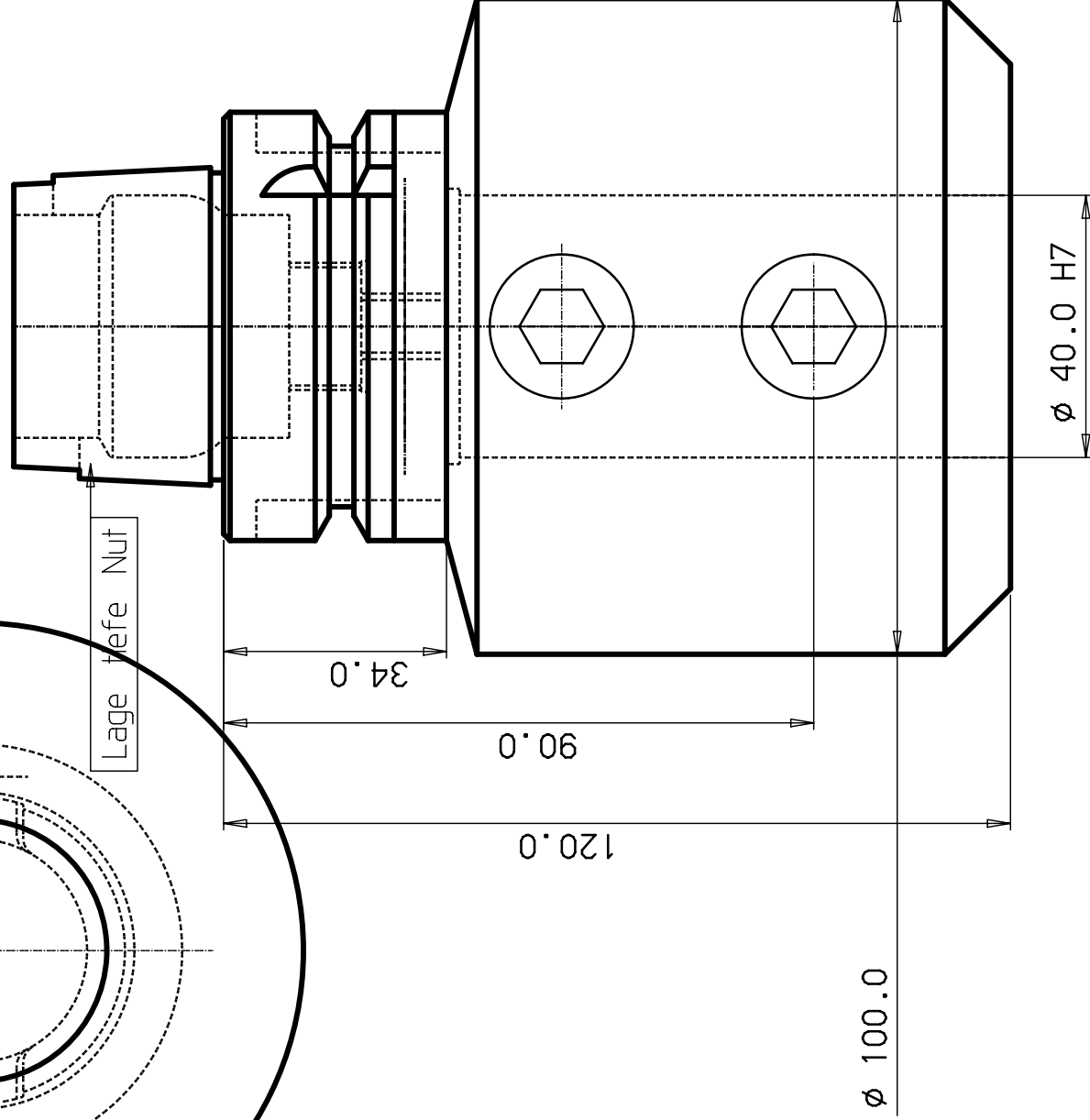


HSK 63 -A

Lage Referenz Nut



Ø 100.0

90.0

34.0

120.0

Ø 40.0 H7

ITEM	Q'NTY	DESCRIPTION	MATERIAL AND REMARKS	RELATED DRAWING	SIZE
CATEGORY	DESIGNED	CHECKED	DATE	SCALE	SUPERSEDES

TITLE

Werkzeugaufnahme

REFERENCE

MODIFICATION	DESIGN OFFICE	DRAWING NUMBER
ABCDEFGHIJKLMNPQRSTUWXYZ	DESIGN OFFICE	DRAWING NUMBER

HSK 63A-100 40 120-WEL