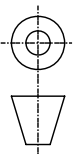
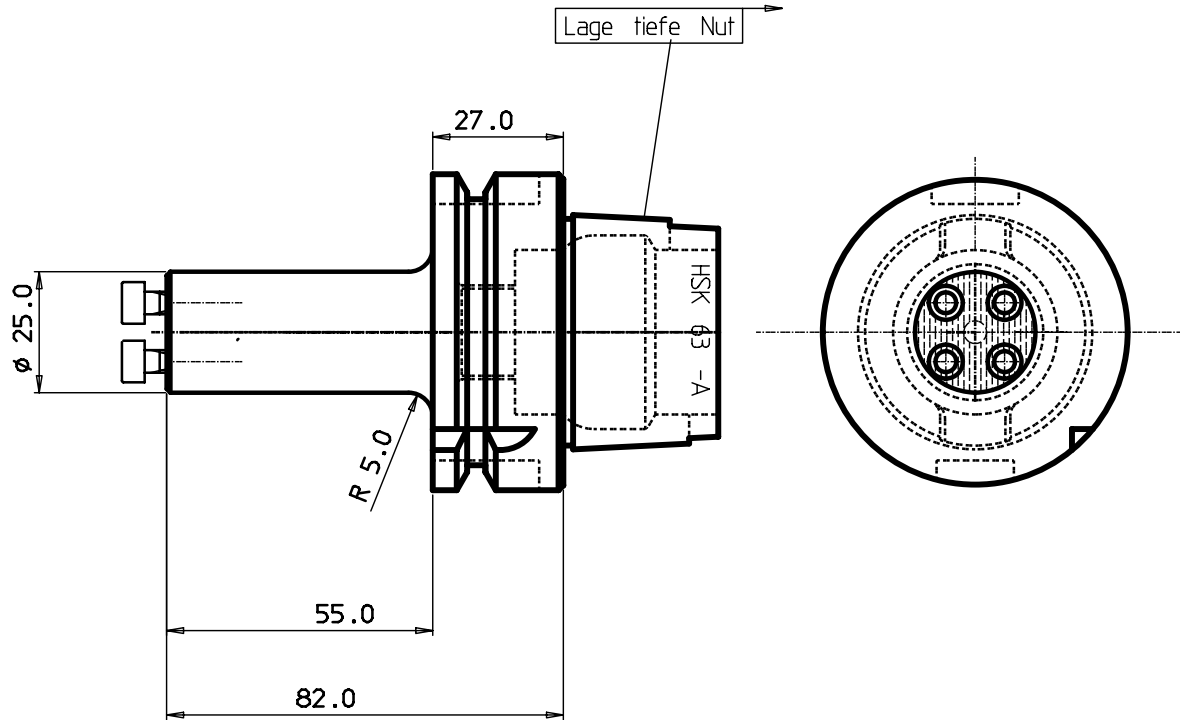


DESIGN OFFICE | DRAWING NUMBER

Show all hidden lines to facilitate assembly of the part  
 and to allow the user to identify the part and its  
 dimensions. This drawing is for the purpose of design only.

100 mm  
 90  
 80  
 70  
 60  
 40  
 30  
 20  
 10  
 0

MICROFILMED



340-0100-2

MOD.	LOCATION	CHANGE REFERENCE	DATE	SIGN.

Tolerance systems acc to ISO  
 Surface roughness Ra um

Where tolerance not stated  
 For threads SS-iso 965/3  
 For dimensions SS 715 Medium

Dimension	Tol.	Angle (Shortest adjacent side in mm)	Tol.
-6	±0.10	10	± 1'
(6) - 30	±0.20		± 30'
(30) - 120	±0.30	(10) - 50	± 20'
(120) - 315	±0.50	(50) - 120	± 10'
(315) - 1000	±0.80	(120) -	

ITEM	QTY	DESCRIPTION	MATERIAL AND REMARKS	RELATED DRAWING	LITH.	SIZE
CATEGORY	DESIGNED	DRAWN	CHECKED	DATE	SCALE	SUPERSEDES
TITLE						
<i>Adapter</i>						
REFERENCE						
MODIFICATION			DESIGN OFFICE   DRAWING NUMBER			
<b>HSK63A-570-2C-25082</b>						



A  
 B  
 C  
 D  
 E  
 F