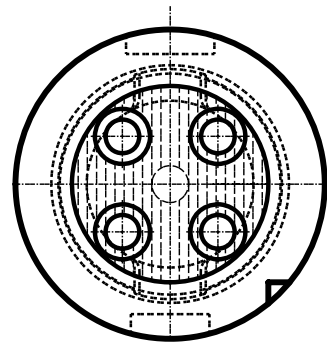
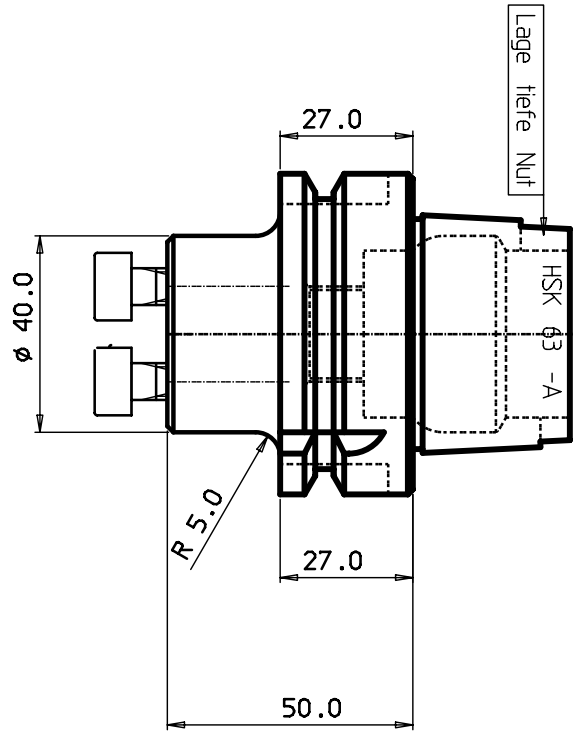


Show in detail only the complete lines of all the parts
 and show in detail only the parts of the assembly
 this drawing means the property of HAVRANEK COMPANY

100 mm 90 80 70 60 40 30 20 10 0

MICROFILMED



1	Schaft						
---	--------	--	--	--	--	--	--

ITEM	QNTY	DESCRIPTION	MATERIAL AND REMARKS	RELATED DRAWING	UNIT	ISSUE
CATEGORY	DESIGNED	DRAWN	CHECKED	DATE	SCALE	SUPERSEDES

TITLE: *Adapter*

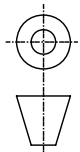


REFERENCE	MODIFICATION	DESIGN OFFICE	DRAWING NUMBER
	ABCDEFGHIJKLMNPRSTUVWXYZ		HSK63A-570-2C-40050

Tolerance systems acc to ISO
Surface roughness Ra um

Where tolerance not stated:
For threads SS-iso 965/3
For dimensions SS 715 Medium

Dimension	Tol	Angle (Shortest adjacent side in mm)	Tol
-6	+0.10	10	
(6) - 30	+0.20		
(30) - 120	+0.30	(10) - 50	± 1'
(120) - 315	+0.50	(50) - 120	± 30'
(315) - 1000	+0.80	(120) -	± 20'



340-CP000-2

MOD.	LOCATION	CHANGE REFERENCE	DATE	SGN
------	----------	------------------	------	-----