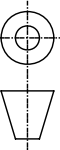


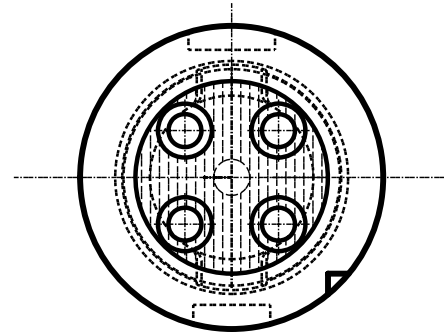
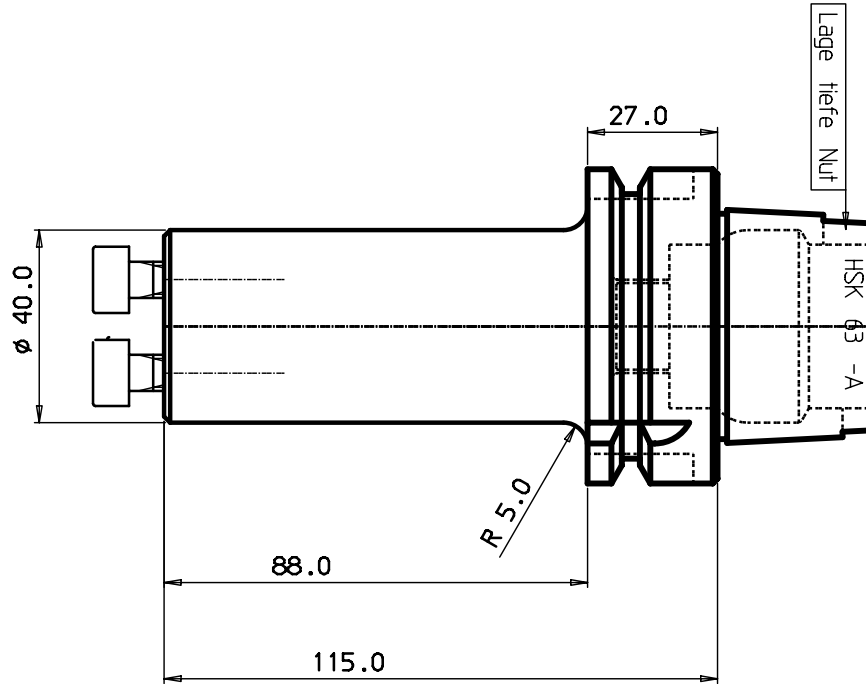
When a thread is to be made from a pre-drilled hole, the diameter of the hole should be increased by the amount of the thread. The drawing shows the property of the thread.

MICROFILMED



346-0000-2

100 mm  
 90  
 80  
 70  
 60  
 40  
 30  
 20  
 10  
 0



DESIGN OFFICE | DRAWING NUMBER

|                            |          |        |         |                      |               |                          |  |       |       |
|----------------------------|----------|--------|---------|----------------------|---------------|--------------------------|--|-------|-------|
| 1                          |          | Schaff |         | MATERIAL AND REMARKS |               | RELATED DRAWING          |  | LIMIT | ISSUE |
| CATEGORY                   | DESIGNED | DRAWN  | CHECKED | DATE                 | SCALE         | SUPERSEDES               |  |       |       |
| TITLE                      |          |        |         |                      |               |                          |  |       |       |
| <i>Adapter</i>             |          |        |         |                      |               |                          |  |       |       |
| REFERENCE                  |          |        |         |                      | MODIFICATION  | ABCDEFGHIJKLMNPRSTUVWXYZ |  |       |       |
|                            |          |        |         |                      | DESIGN OFFICE | DRAWING NUMBER           |  |       |       |
| <b>HSK63A-570-2C-40115</b> |          |        |         |                      |               |                          |  |       |       |

Tolerance systems acc to ISO  
Surface roughness Ra um

Where tolerance not stated:  
For threads SS-iso 965/3  
For dimensions SS 715 Medium

| Dimension   | Tol   | Angle (Shortest adjacent side in mm) | Tol   |
|-------------|-------|--------------------------------------|-------|
| 6) - 30     | +0,10 | 10                                   | ± 1'  |
| 60) - 120   | +0,20 | 10                                   | ± 30' |
| 120) - 315  | +0,30 | 60) - 50                             | ± 20' |
| 315) - 1000 | +0,50 | 60) - 120                            | ± 20' |
|             | +0,80 | 120) -                               | ± 20' |

| MOD | LOCATION | CHANGE REFERENCE | DATE | SIGN |
|-----|----------|------------------|------|------|
|     |          |                  |      |      |