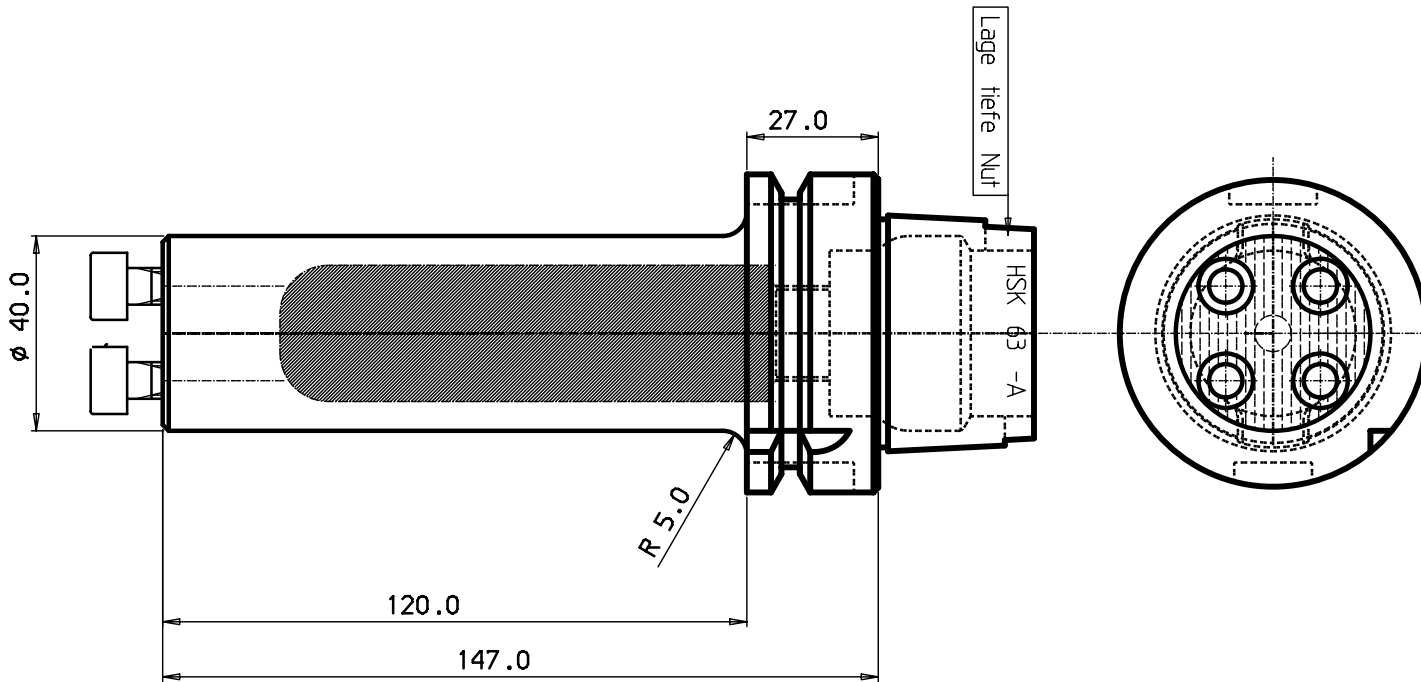


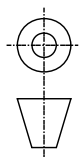
Show in detail and complete line of all parts  
 and their dimensions in accordance with  
 the drawing standards of the HAVRANEK company

100 mm  
 90  
 80  
 70  
 60  
 40  
 30  
 20  
 10  
 0

MICROFILMED



DESIGN OFFICE | DRAWING NUMBER



340-01010-2

MOD. LOCATION	CHANGE REFERENCE	DATE	SIGN

Tolerance systems acc to ISO  
 Surface roughness Ra um

Where tolerance not stated:  
 For threads SS-iso 965/3  
 For dimensions SS 715 Medium

Dimension	Tol	Angle (Shortest adjacent side in mm)	Tol
(6) - 30	+0.10	10	± 1'
(30) - 120	+0.30	(50) - 50	± 30'
(120) - 315	+0.50	(50) - 120	± 20'
(315) - 1000	+0.80	(120) -	± 10'

ITEM	QNTY	DESCRIPTION	MATERIAL AND REMARKS	RELATED DRAWING	ITEM	SIZE
1		Schaft				
CATEGORY	DESIGNED	DRAWN	CHECKED	DATE	SCALE	SUPSEDES
TITLE: Adapter						
REFERENCE: ABCDEFGHIJKLMNOPQRSTUVWXYZ						
MODIFICATION: HSK63A-570-2c-40147-HMK						

