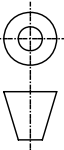


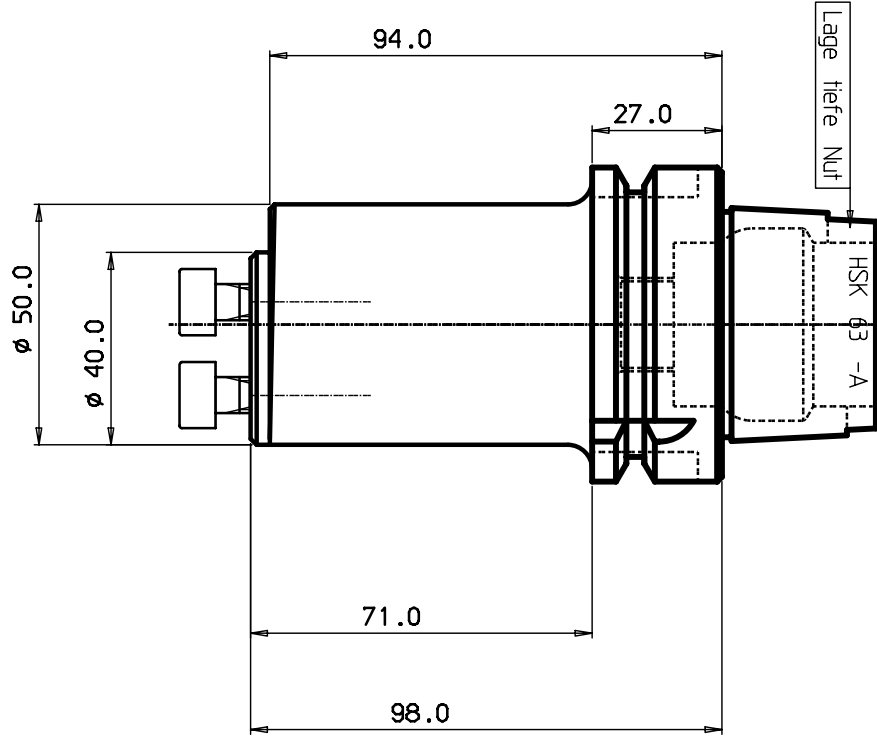
This drawing is the property of HAVRANEK s.r.o. and shall not be copied, reproduced or disseminated without the written consent of HAVRANEK s.r.o.

MICROFILMED

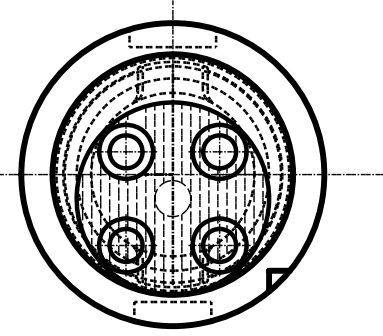
100 mm
90
80
70
60
40
30
20
10
0



340-07000-2



DESIGN OFFICE | DRAWING NUMBER



1		Schaft		MATERIAL AND REMARKS		RELATED DRAWING		L1R1H L1SR1E	
CATEGORY	DESIGNED	DRAWN	CHECKED	DATE	SCALE	SUPERSEDES			
TITLE <i>Adapter</i>									
REFERENCE					MODIFICATION ABCDEFGHIJKLMNOPRSTUVWXYZ DESIGN OFFICE DRAWING NUMBER HSK63A-570-2c-50098-40R				

Tolerance systems acc to ISO
Surface roughness Ra um

Where tolerance not stated:
For threads SS-iso 965/3
For dimensions SS 715 Medium

Dimension	Tol	Angle (Shortest adjacent side in mm)	Tol
6 - 30	±0.10	10	± 1'
30 - 120	±0.20	50	± 30'
120 - 315	±0.30	120	± 20'
315 - 1000	±0.50	120	± 10'

MOD	LOCATION	CHANGE	REFERENCE	DATE	SIGN