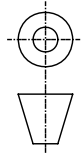


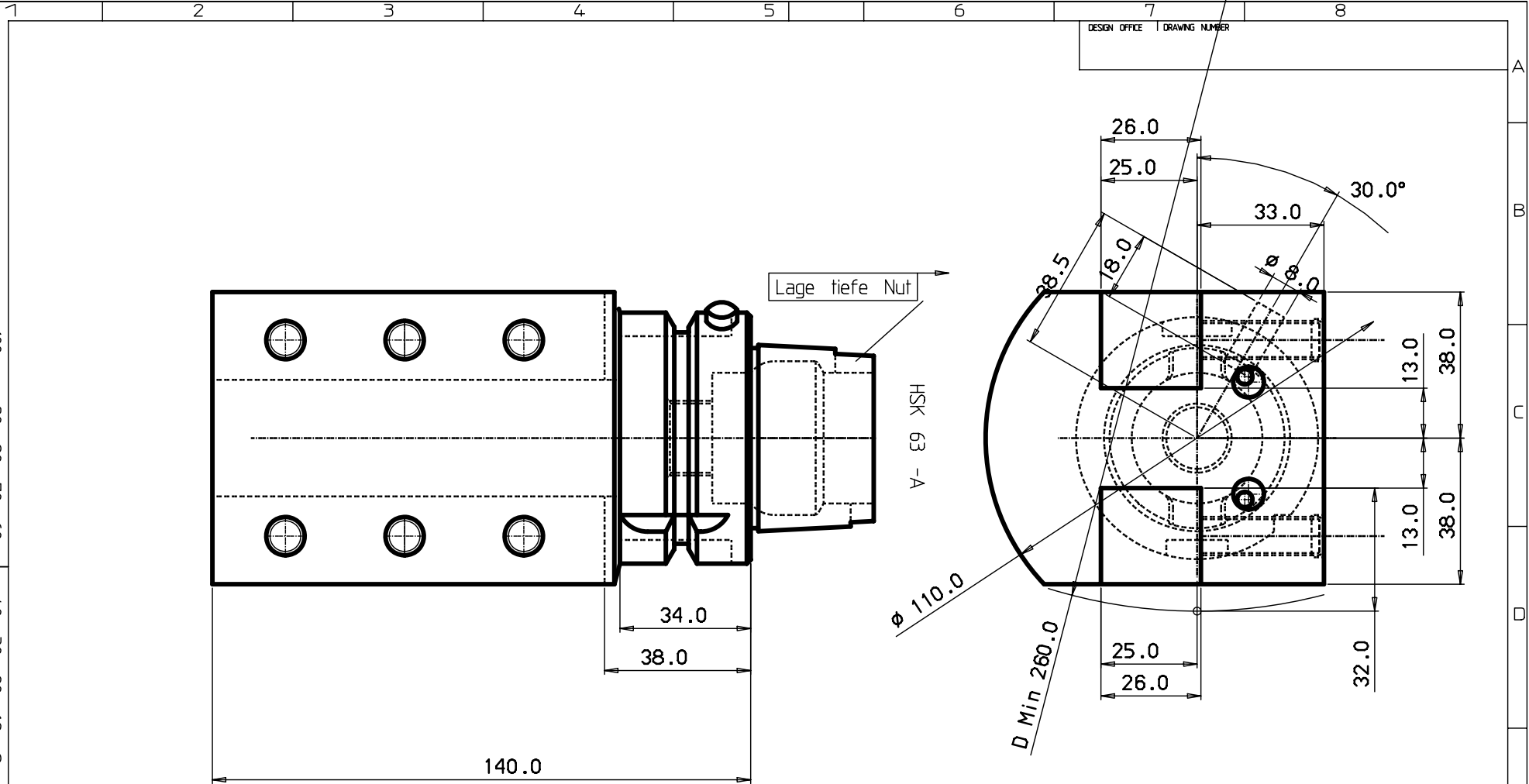
Show of model over transparent lines of an object  
 and its cut to be shown when the object is shown  
 this drawing means the property of the drawing

MICROFILMED

100  
90  
80  
70  
60  
40  
30  
20  
10  
0



340-07000-2



6					
5					
4					
3	1	KM-Duese		5691 029-02	
2	3	Schraube		3214 040-461	
1					
ITEM	QNTY	DESCRIPTION	MATERIAL AND REMARKS		RELATED DRAWING
CATEGORY	DESIGNED	DRAWN	CHECKED	DATE	SCALE
TITLE			SUPERSEDES		ITEM

Adapter



REFERENCE	MODIFICATION	DESIGN OFFICE	DRAWING NUMBER
	ABCDEF GHIJKL MN PQRST UVWXYZ		
<b>HSK63A-ASHS-38140-25-STI</b>			

Tolerance systems acc to ISO	
Surface roughness Ra um	
Where tolerance not stated	
For threads SS-iso 965/3	
For dimensions SS 715 Medium	
Dimension	Tol
-6	±0.10
(6) - 30	±0.20
(30) - 120	±0.30
(120) - 315	±0.50
(315) - 1000	±0.80
Angle (shortest adjacent side in mm)	Tol
10	± 1'
(10) - 50	± 30'
(50) - 120	± 20'
(120) -	± 10'
MOD. LOCATION	CHANGE REFERENCE
DATE	SIGN