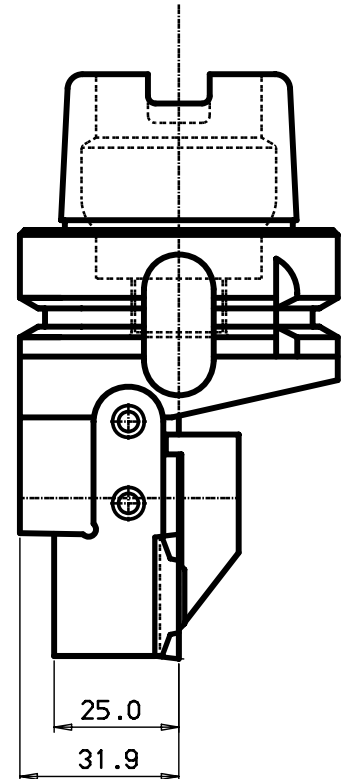
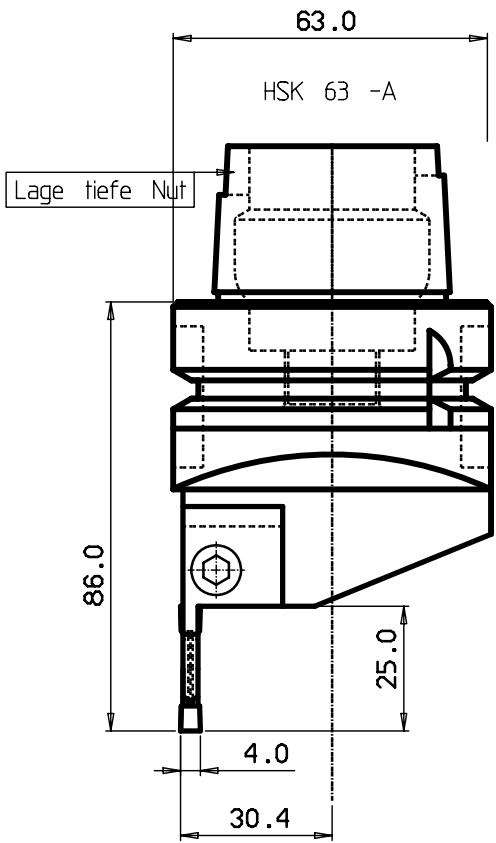
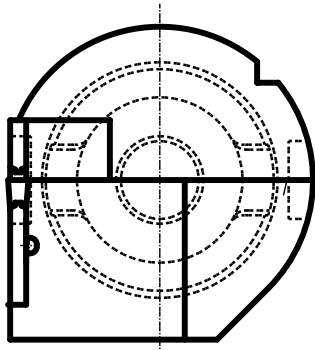


Zeichnung ist Eigentum der HAVRANEK s.r.o. und darf ohne schriftliche Genehmigung der HAVRANEK s.r.o. nicht weitergegeben werden.

DESIGN OFFICE | DRAWING NUMBER

100 mm  
90  
80  
70  
60  
40  
30  
20  
10  
0

MICROFILMED



*Plattensitz Gr. "H"*

5	1	Schraube f. Spannplatte	3212 010-359
4	1	Schraube f. Schwert	5513 020-30
3	1	Schwert	123.27-H
2	1	Spannplatte	L123.27-H
1	1		

ITEM	QNTY	DESCRIPTION	MATERIAL AND REMARKS	RELATED DRAWING	LIMIT	ISSUE
CATEGORY	DESIGNED	DRAWN	CHECKED	DATE	SCALE	SUPERSEDES

Tolerance systems acc to ISO  
Surface roughness Ra um

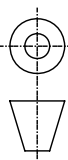
Where tolerance not stated:  
For threads SS-ISO 965/3  
For dimensions SS 715 Medium

Dimension	Tol	Angle	Tol
-6	+0.10	(Shortest adjacent side in mm)	10
(6) - 30	+0.20		± 1'
(30) - 120	+0.30	(10) - 50	± 30'
(120) - 315	+0.50	(50) - 120	± 20'
(315) - 1000	+0.80	(120) -	± 10'

*Schneidkopf*



MODIFICATION	DESIGN OFFICE	DRAWING NUMBER
<b>HSK63A-L123.27H-23-30-86-C</b>		



340-07000-2

MOD.	LOCATION	CHANGE	REFERENCE	DATE	SIGN