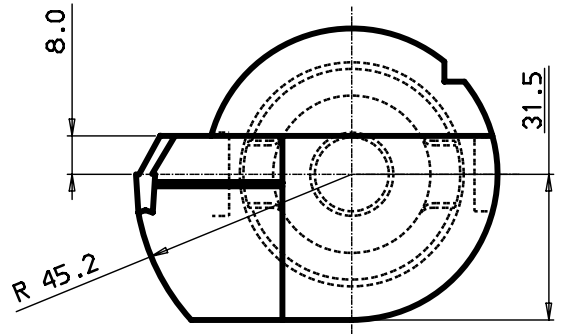


DESIGN OFFICE | DRAWING NUMBER

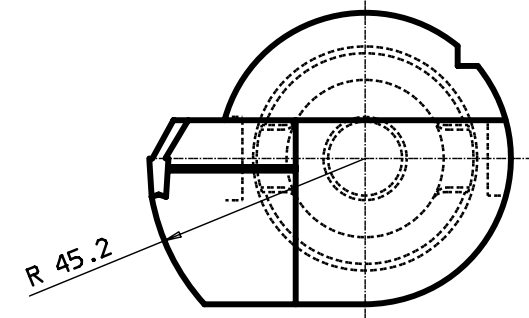
Show in bold lines in the drawing the lines of the part
 and in the drawing the lines of the part of the drawing
 the drawing shows the lines of the part of the drawing

100 mm
 90
 80
 70
 60
 40
 30
 20
 10
 0

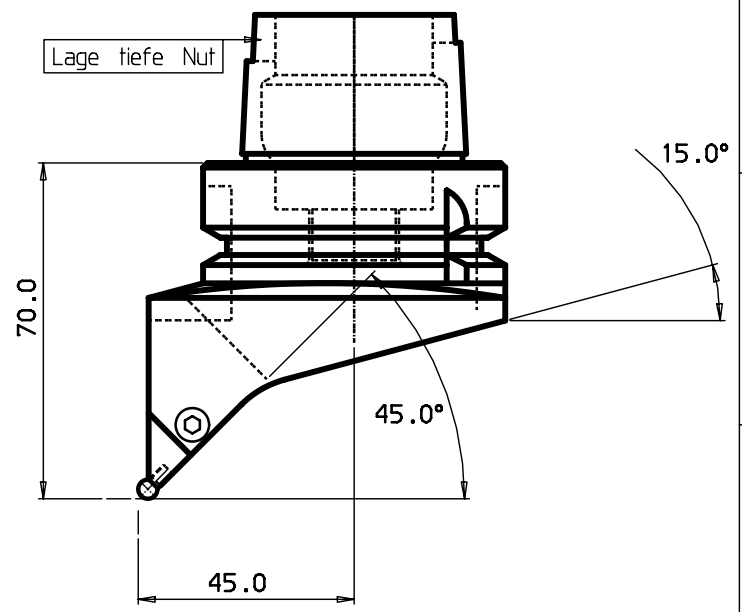
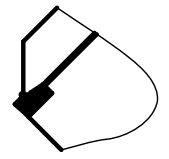
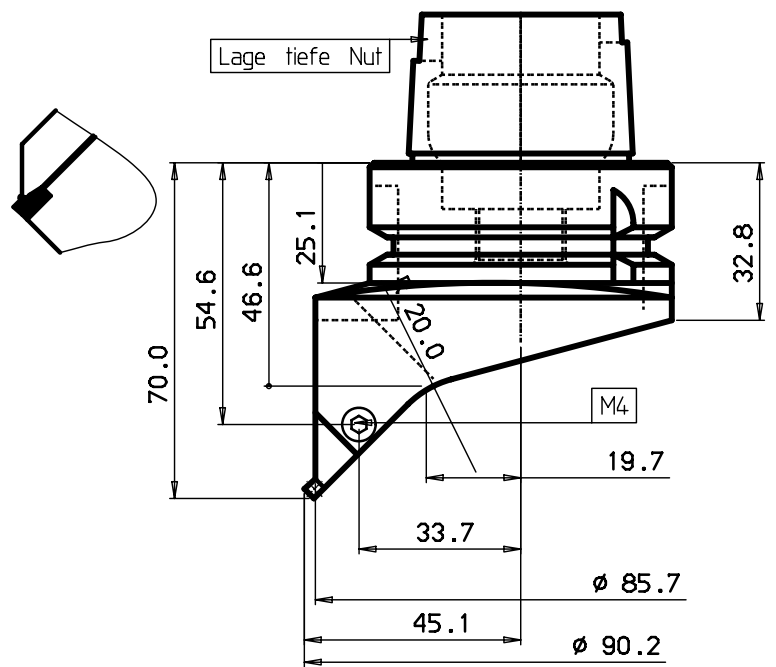
MICROFILMED



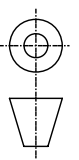
HSK 63 -A



HSK 63 -A



HM-Platte N151.2-400-300-4U



340-0100-2

MOD.	LOCATION	CHANGE	REFERENCE	DATE	SIGN

Tolerance systems acc to ISO
 Surface roughness Ra um

Where tolerance not stated:
 For threads SS-iso 965/3
 For dimensions SS 715 Medium

Dimension	Tol	Angle (Shortest adjacent side in mm)	Tol
6 - 30	±0.10	10	± 1'
30 - 120	±0.20	10	± 30'
120 - 315	±0.30	(10) - 50	± 20'
315 - 1000	±0.50	(50) - 120	± 20'
	±0.80	(120) -	± 30'

ITEM	Q'NTY	DESCRIPTION	MATERIAL AND REMARKS	RELATED DRAWING	ITEM	SIZE
CATEGORY	DESIGNED	DRAWN	CHECKED	DATE	SCALE	SUPERSEDES
TITLE						
Schneidkopf						
REFERENCE						
MODIFICATION			ABCDEFGHIJKLMNOPRSTUVWXYZ			
DESIGN OFFICE			DRAWING NUMBER			
HSK63A-LS151.22-45073-3						

