

5

6

7

8

DESIGN OFFICE | DRAWING NUMBER

A

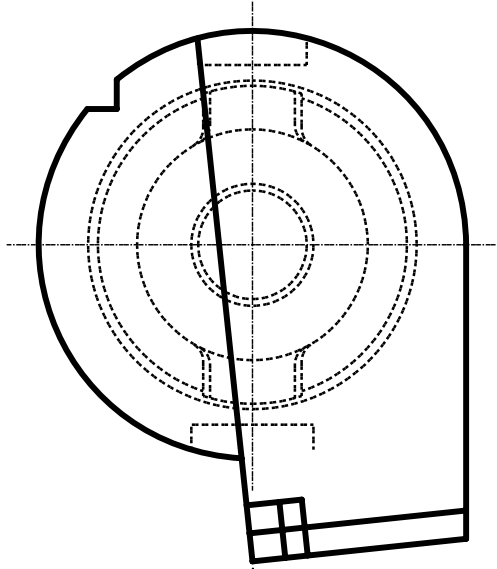
B

C

D

E

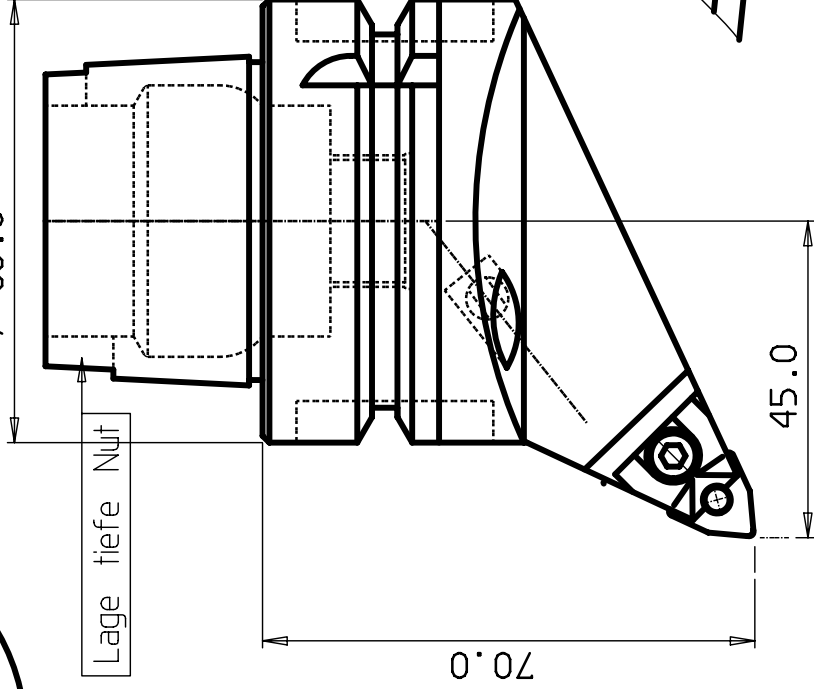
F



6.0°

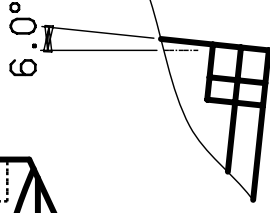
HSK 63 -A
ø 63.0

Lage tiefe Nut



70.0

45.0



HM-Platte WNMG 060408

ITEM	QNTY	DESCRIPTION	DESIGNED	DRAWN	CHECKED	DATE	SCALE	MATERIAL AND REMARKS	RELATED DRAWING	ITEM	SIZE
4	1	Schraube						5512 030-03			
3	1	Stift						5313 022-01			
2	1	Zwischenlage						5322 331-06			
1	1	Keispanpratze						5431 125-011			

CATEGORY	DESIGNED	DRAWN	CHECKED	DATE	SCALE	SUPERSEDES

TITLE

Schneidkopf



REFERENCE

MODIFICATION | ABCDEFGHIJKLMNOPRSTUVWXYZ
DESIGN OFFICE | DRAWING NUMBER

HSK63A-MWLN-45070-06

acc to ISO

SS Ra um i

not stated:

S 965/3

Medium

Angle

(Shortest adjacent side in mm)

10

(10) - 50

(50) - 120

(120) -

Tot

+0.10

+0.20

+0.30

+0.50

+0.80

Tot

± 1'

± 30'

± 20'

± 10'

5

6

4

7

8