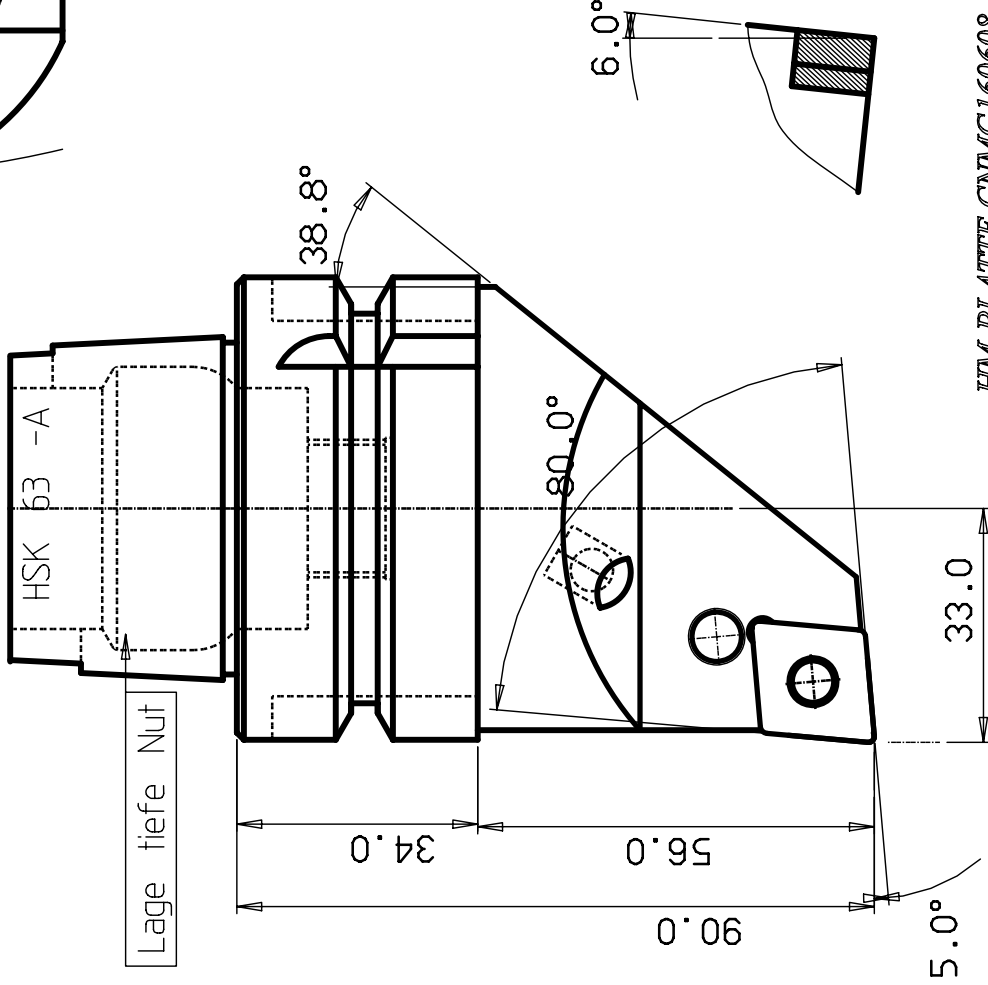


6.0°

D Min ϕ 270.0



HSK 63 - A

Lage tiefe Nut

HM-PLATTE CNMG160608

ITEM	QTY	DESCRIPTION	MATERIAL AND REMARKS	RELATED DRAWING	SCALE	DATE	CHECKED	DRAWN	DESIGNED
5	1	Schraube		438.3-831					
4	1	Rohrstift		174.3-864					
3	1	Unterlage		171.31-852					
2	1	Knihebel		438.3-840					
1									

CATEGORY	DESIGNED	DRAWN	CHECKED	DATE	SCALE	MATERIAL AND REMARKS	RELATED DRAWING	SCALE	DATE	CHECKED	DRAWN	DESIGNED

TITLE

Schneidkopf



REFERENCE

MODIFICATION | ABCDEFGHIJKLMNOPRSTUVWXYZ
DESIGN OFFICE | DRAWING NUMBER

HSK63A-PCLNL-03390-16