

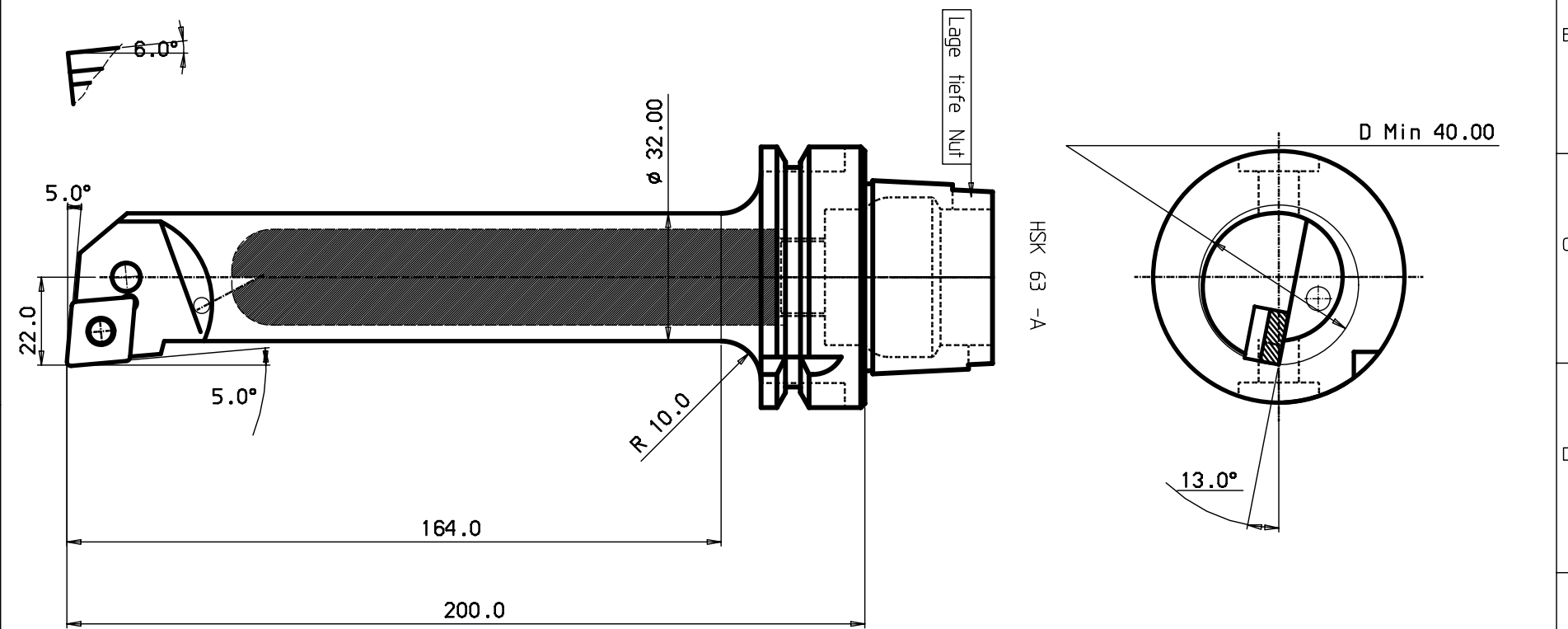
Show of part and its complete lines in the drawing
 and not in the case of any part of the drawing
 its clearly reads the part of the drawing (drawing)

MICROFILMED

100
90
80
70
60
40
30
20
10
0

1 2 3 4 5 6 7 8

DESIGN OFFICE | DRAWING NUMBER



HM-Platte CN..160608

5	1	Schraube	4.38.3-831
4	1	Rohrstift	174.3-864
3	1	Unterlage	171.31-852
2	1	Kniehebel	4.38.3-840
1			

ITEM	QNTY	DESCRIPTION	MATERIAL	REMARKS	RELATED DRAWING	UNIT	ISSUE
CATEGORY	DESIGNED	DRAWN	CHECKED	DATE	SCALE	SUPERSEDES	

TITLE: **Schneidkopf**

REFERENCE: _____

MODIFICATION: _____

DESIGN OFFICE | DRAWING NUMBER: **HSK63A-PCLNR-2232200-16**

Tolerance systems acc to ISO
 Surface roughness Ra um

Where tolerance not stated:
 For threads SS-iso 965/3
 For dimensions SS 715 Medium

Dimension	Tol	Angle (Shortest adjacent side in mm)	Tol
6) - 30	±0.10	10	± 1'
130) - 220	±0.30	150) - 50	± 30'
120) - 315	±0.50	150) - 120	± 50'
G15) - 1000	±0.80	120)	± 80'

MOD	LOCATION	CHANGE	REFERENCE	DATE	SIGN
1	2	3	4	5	6

1 2 3 4 5 6 7 8