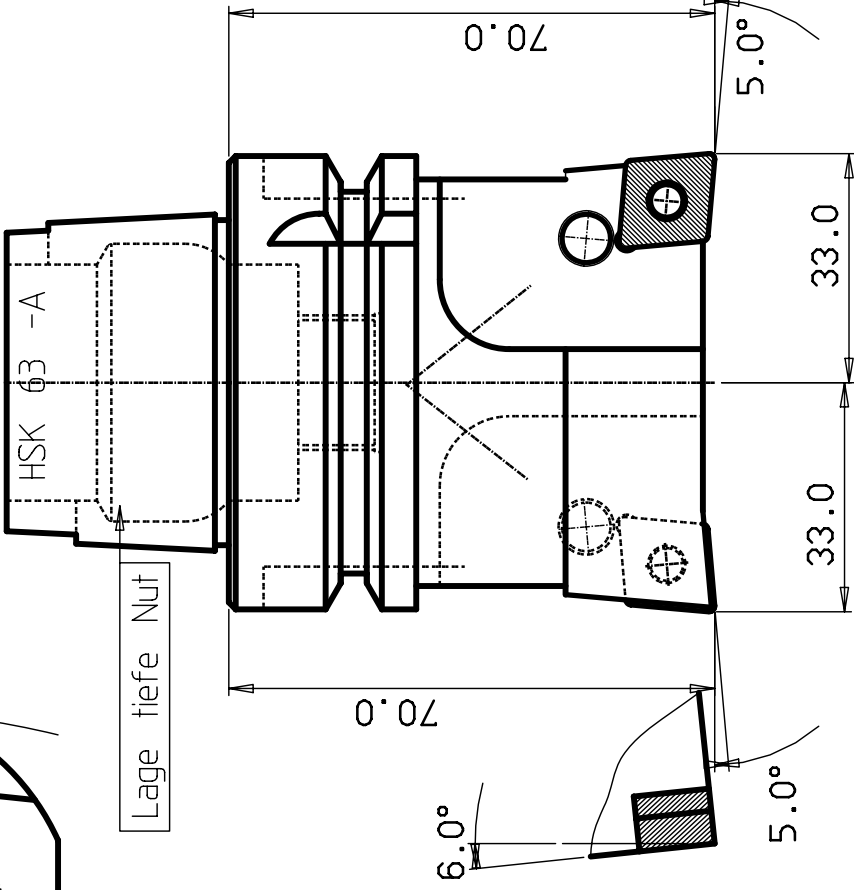
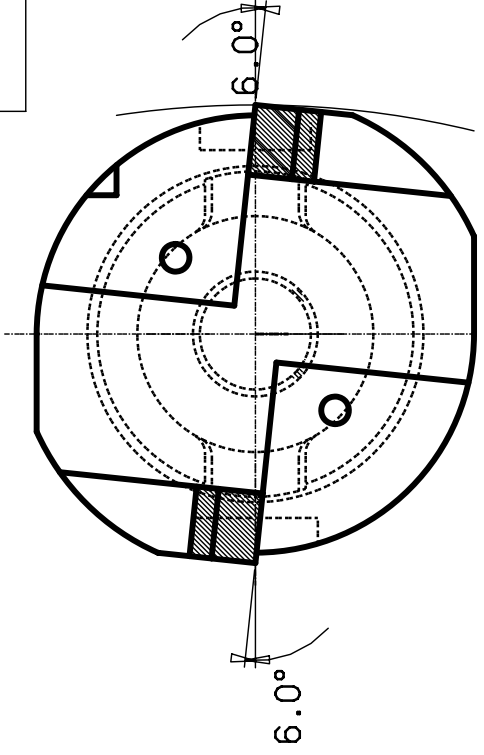


DESIGN OFFICE | DRAWING NUMBER



Lage tiefe Nut

HM-Platte CN.120408

5	2	Schraube	174.3-821
4	2	Rohrstift	174.3-861
3	2	Untertage	171.31-850M
2	2	Kniehebel	174.3-841M
1		Schaft	

ITEM	Q'NTY	DESCRIPTION	MATERIAL AND REMARKS	SCALE	DATE	SUPERSEDES	LIBR.	SIZE
CATEGORY	DESIGNED	DRAWN	CHECKED					

Surface finish: Ra um i

10	± 1'
20	± 30'
30	± 20'
50	± 10'
120	

Schneidkopf



MODIFICATION	ABCDEFGHIJKLMNPRSTUVWXYZ
DESIGN OFFICE	DRAWING NUMBER

HSK63A-PCLNR-33070-12DBL