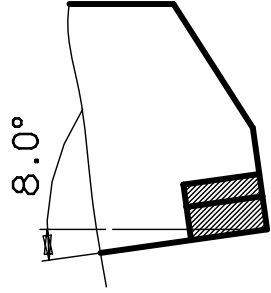
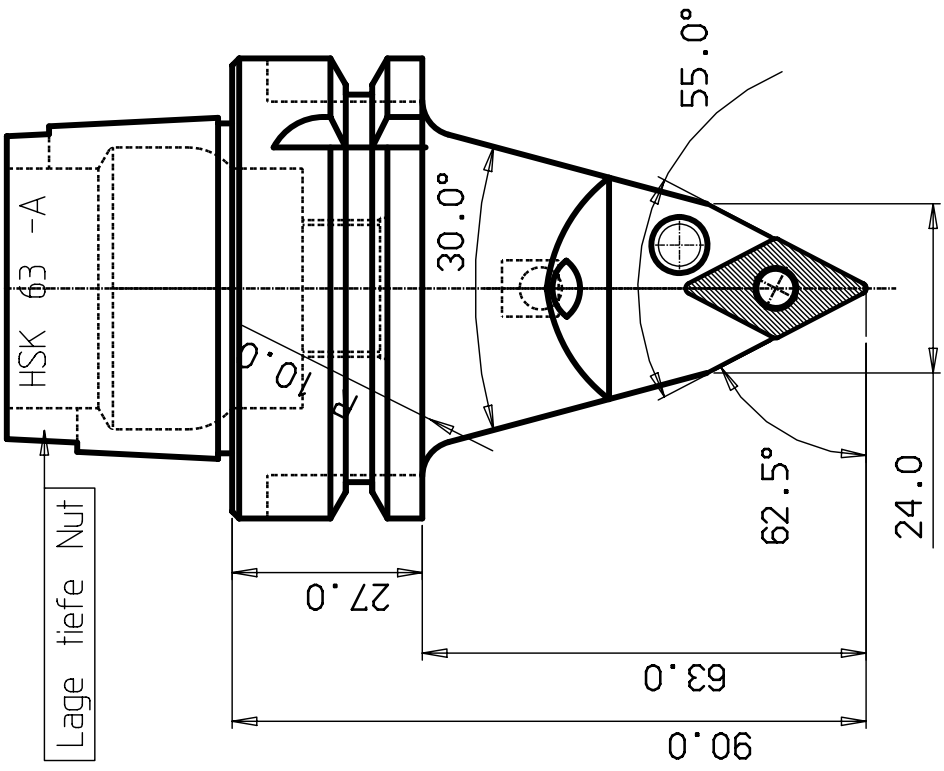


Lage tiefe Nut



HM-Platte DN..150608

5	1	Schraube						174.3-830
4	1	Rohrstift						174.3-861
3	1	Unterlage						171.35-855
2	1	Knihebel						174.3-847M

ITEM	QNTY	DESCRIPTION	MATERIAL AND REMARKS	RELATED DRAWING	SIZE
CATEGORY	DESIGNED	DRAWN	CHECKED	DATE	SCALE
					SUPERSEDES

TITLE

Schneidkopf



MODIFICATION	ABCDEFGHIJKLMNOPQRSTUVWXYZ
DESIGN OFFICE	DRAWING NUMBER

HSK63A-PDNNN-00090-15

REFERENCE