

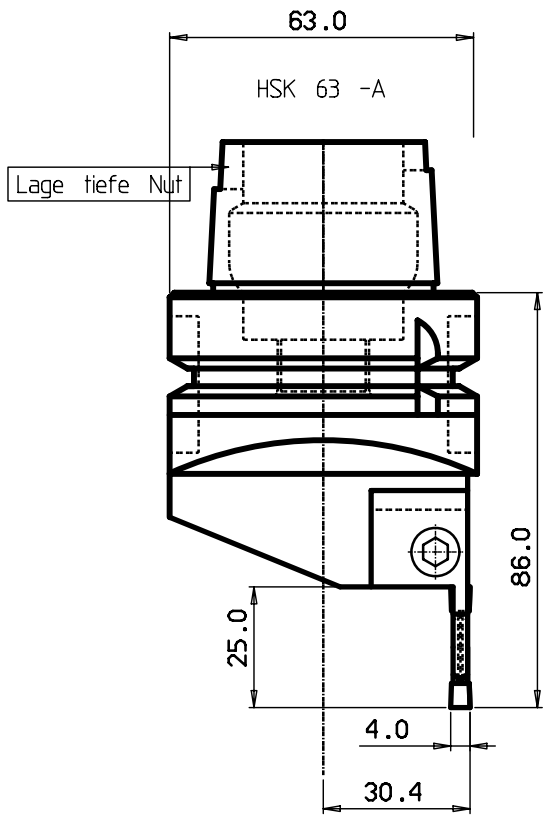
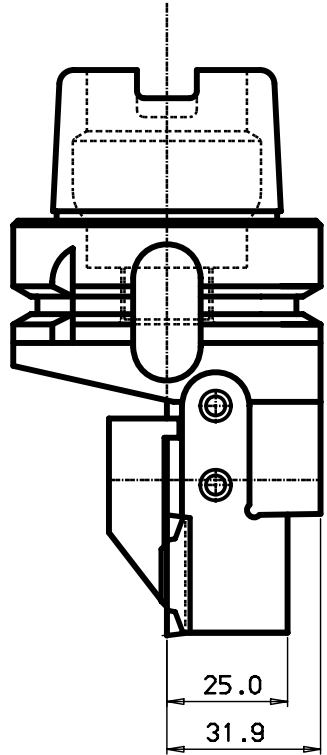
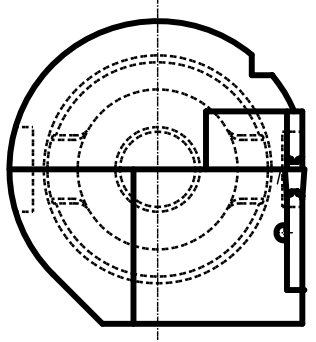
MOD	LOCATION	CHANGE REFERENCE	DATE	SIGN
1		2		
1		2		

(6) - 30	±0.20	(10) - 10	± 1'
(30) - 120	±0.30	(50) - 120	± 30'
(120) - 315	±0.50	(120) -	± 20'
(315) - 1000	±0.80		± 10'

Show a detail on the complete first of any detail not shown in the drawing, unless otherwise specified. The drawing remains the property of HAVRANEK COMPANY.

100 mm  
 90  
80  
70  
60  
40  
30  
20  
10  
0

MICROFILMED



*Plattensitz Gr. "H"*

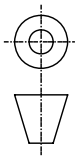
5	1	Schraube f. Spannplatte	3212 010-359
4	1	Schraube f. Schwert	5513 020-30
3	1	Schwert	12327-H
2	1	Spannplatte	R12327-H
1	1		

ITEM	QNTY	DESCRIPTION	MATERIAL AND REMARKS	RELATED DRAWING	LIBR	ISS
CATEGORY	DESIGNED	DRAWN	CHECKED	DATE	SCALE	SUPERSEDES

TITLE  
**Schneidkopf**



REFERENCE	MODIFICATION	DESIGN OFFICE	DRAWING NUMBER
	ABCDEFGHIJKLMNPRSTUVWXYZ		<b>HSK63A-R123.27H-23-30-86-C</b>



MOD	LOCATION	CHANGE REFERENCE	DATE	SIGN
1		2		
1		2		

Tolerance systems acc to ISO  
 Surface roughness Ra um ,  
 Where tolerance not stated:  
 For threads SS-iso 965/3  
 For dimensions SS 715 Medium

Dimension	Tol	Angle (Shortest adjacent side in mm)	Tol
(6) - 6	±0.10	(10) - 10	± 1'
(30) - 120	±0.20	(50) - 50	± 30'
(120) - 315	±0.30	(120) - 120	± 20'
(315) - 1000	±0.50	(120) -	± 10'