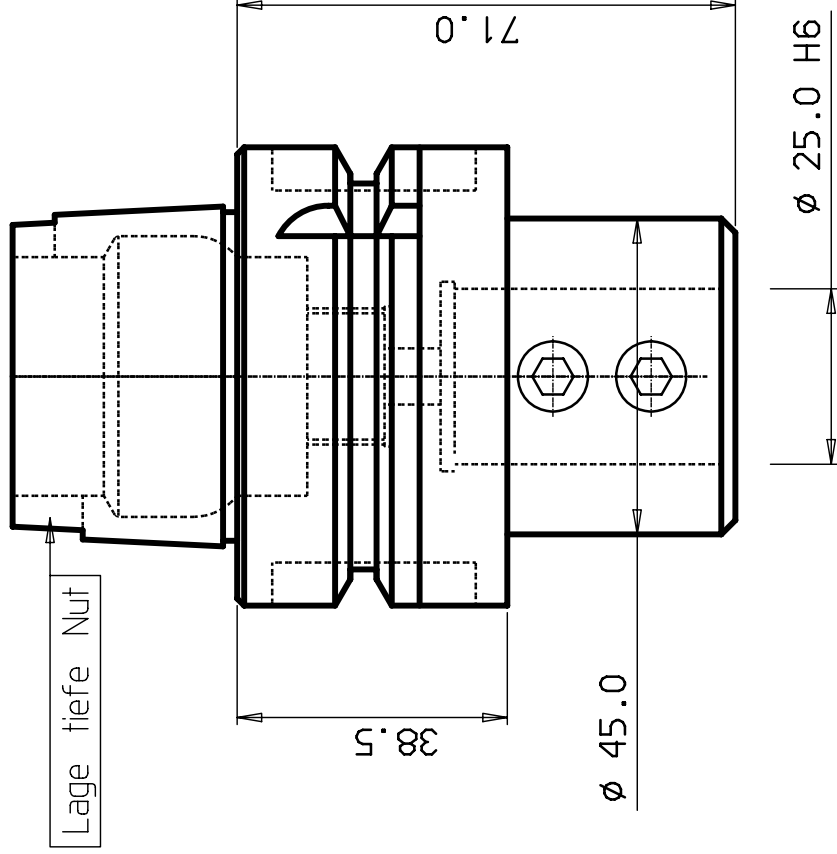


HSK 63 -A



Werkzeugaufnahme

ITEM	QNTY	DESCRIPTION	MATERIAL AND REMARKS	RELATED DRAWING	SIZE
CATEGORY	DESIGNED	DRAWN	CHECKED	DATE	SCALE
					SUPERSEDES
TITLE	<p>MODIFICATION ABCDEFGHIJKLMNOPRSTUVWXYZ DESIGN OFFICE DRAWING NUMBER HSK63A-25071-45-E1</p>				
REFERENCE	<p>-----</p>				