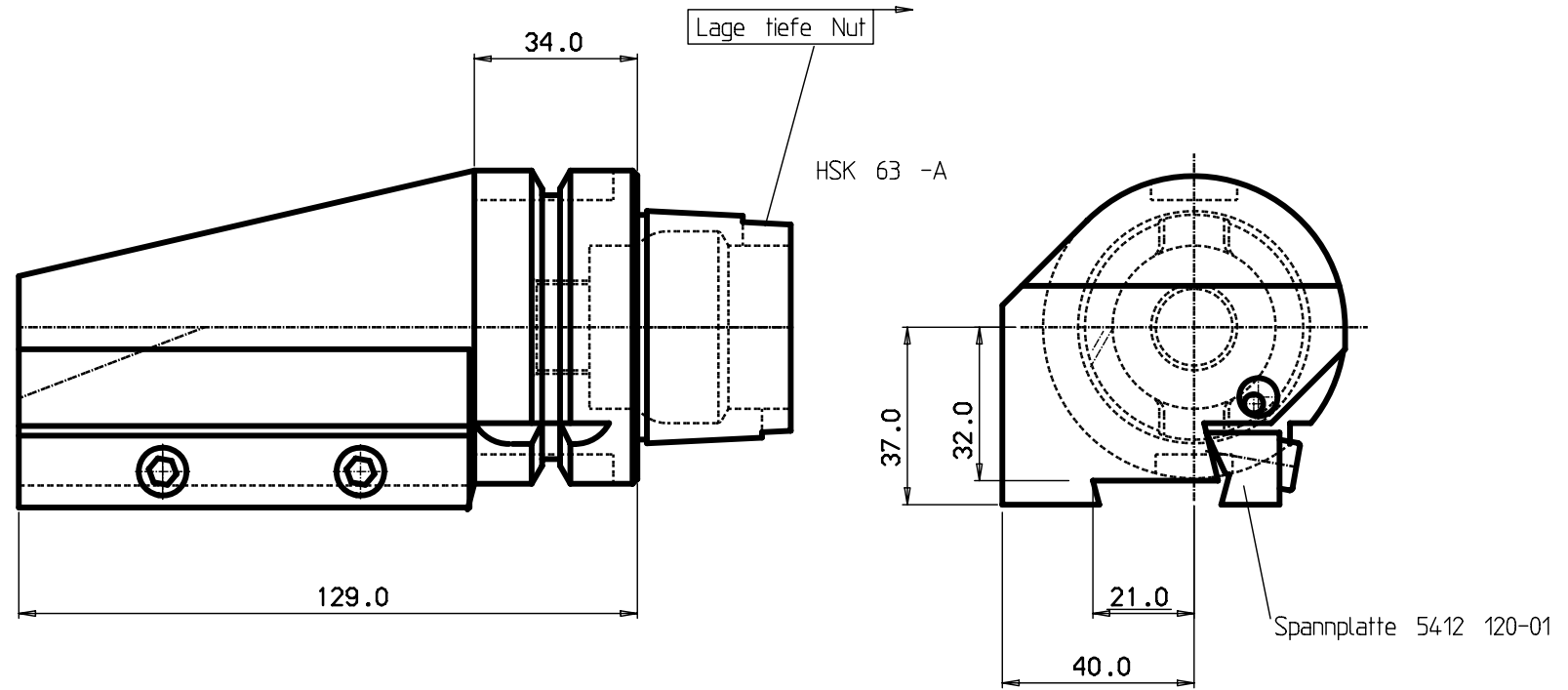


Show a detail over the appropriate lines of an item only
 and do not be confused with the previous drawing
 the drawing remains the property of the drawing customer

100 mm
 90
 80
 70
 60
 40
 30
 20
 10
 0

MICROFILMED



6									
5									
4									
3									
2									
1									

ITEM	QNTY	DESCRIPTION	MATERIAL AND REMARKS	RELATED DRAWING	ITEM	QNTY
CATEGORY	DESIGNED	DRAWN	CHECKED	DATE	SCALE	SUPSEDES

TITLE: *Adapter*



REFERENCE	MODIFICATION	DESIGN OFFICE	DRAWING NUMBER
	ABCDEFGHIJKLMNPQRSTUWXYZ		HSK63A-APBR-37129-21

Tolerance systems acc to ISO
 Surface roughness Ra um

Where tolerance not stated
 For threads SS-iso 965/3
 For dimensions SS 715 Medium

Dimension	Tol	Angle (Shortest adjacent side in mm)	Tol
-6	+0.10	90	± 1'
(6) - 30	+0.20	(10) - 50	± 30'
(30) - 120	+0.30	(50) - 120	± 20'
(120) - 315	+0.50	(120) -	± 10'
(315) - 1000	+0.80		

MOD.	LOCATION	CHANGE REFERENCE	DATE	SIGN

