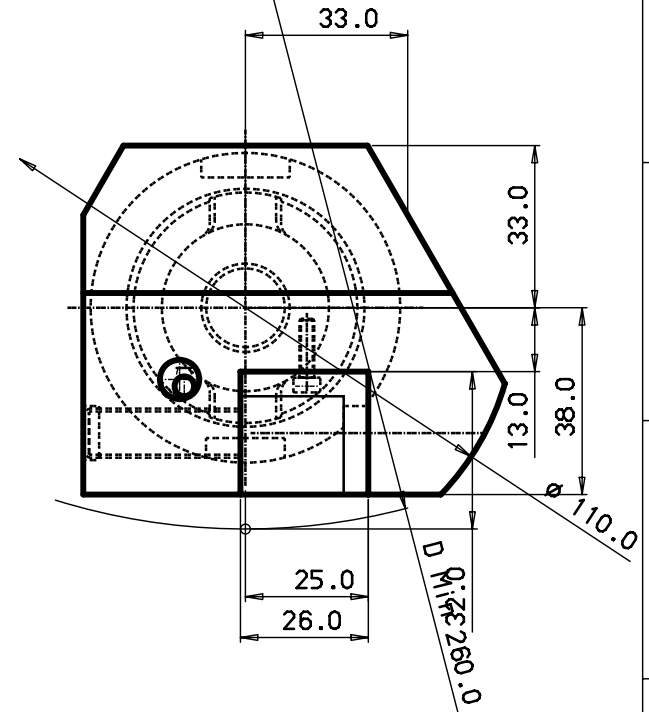
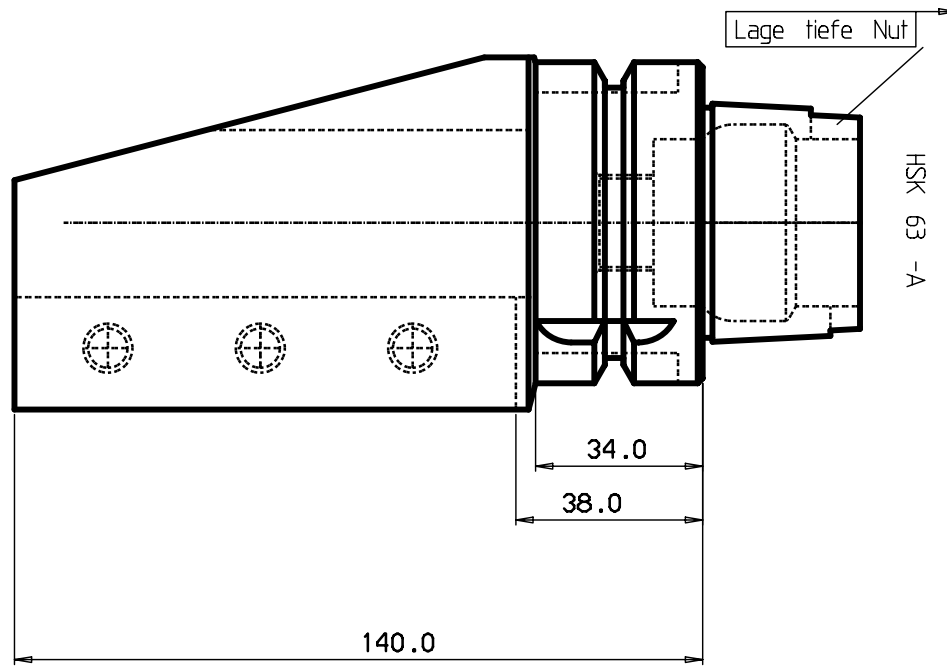


Show of hatched area in perspective lines of an object
 will exist in the corner where an object is shown
 this drawing reads the property of an object (drawing)

DESIGN OFFICE | DRAWING NUMBER

100 mm
 90
 80
 70
 60
 40
 30
 20
 10
 0

MICROFILMED



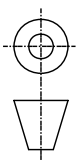
6					
5					
4					
3	1	KM-Duese		5691	029-02
2	3	Schraube		3214	040-461
1					
ITEM	QNTY	DESCRIPTION	MATERIAL AND REMARKS	RELATED DRAWING	UNIT

CATEGORY	DESIGNED	DRAWN	CHECKED	DATE	SCALE	SUPERSEDES
TITLE						
<i>Adapter</i>						
REFERENCE						
MODIFICATION			ABCDEFGHIJKLMNPQRSTUWXYZ			
DESIGN OFFICE			DRAWING NUMBER			
HSK63A-ASHR-38140-25-UBKO						

Tolerance systems acc to ISO
 Surface roughness Ra um

Where tolerance not stated:
 For threads SS-iso 965/3
 For dimensions SS 715 Medium

Dimension	Tol	Angle (Shortest adjacent side in mm)	Tol
-6	±0.10	10	± 1'
(6) - 30	±0.20	10	± 30'
(30) - 120	±0.30	(10) - 50	± 20'
(120) - 315	±0.50	(50) - 120	± 20'
(315) - 1000	±0.80	(120) -	± 20'



340-07000-2

MOD.	LOCATION	CHANGE REFERENCE	DATE	SIGN