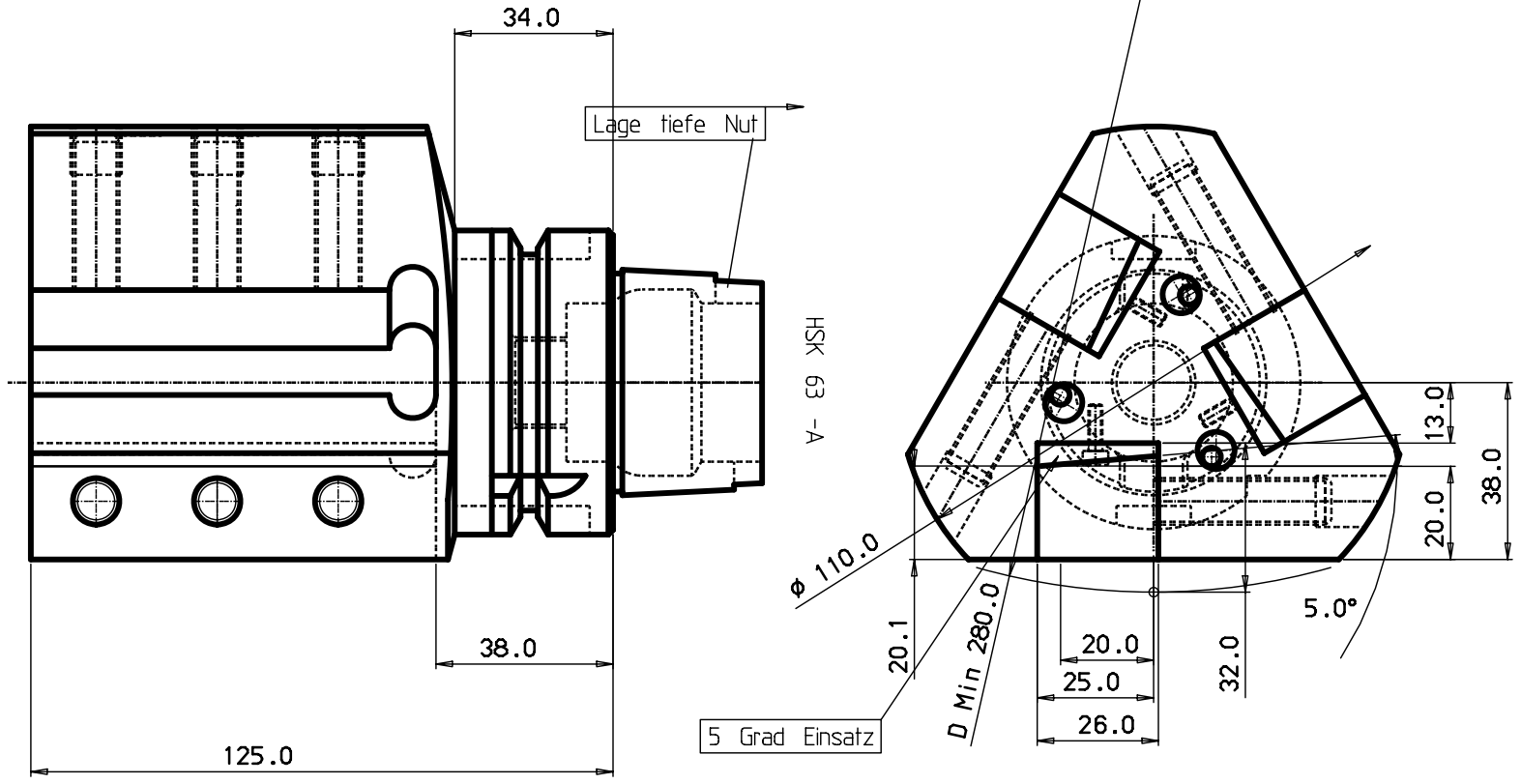


Show a detail and dimension line of an hole only  
 and do not be over the hole or adjacent surface  
 This drawing means the property of HAVRANEK COMPANY

100 mm  
 90  
 80  
 70  
 60  
 40  
 30  
 20  
 10  
 0

MICROFILMED



6					
5					
4					
3	3	KM-Duese		5691	029-02
2	9	Schraube		3214	040-461
1					

ITEM	QNTY	DESCRIPTION	MATERIAL	AND REMARKS	RELATED DRAWING	UNIT	SIZE
CATEGORY	DESIGNED	DRAWN	CHECKED	DATE	SCALE	SUPERSEDES	

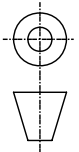
TITLE		<i>Adapter</i>											
REFERENCE		MODIFICATION   ABCDEFGHIJKLMNOPRSTUVWXYZ DESIGN OFFICE   DRAWING NUMBER <b>HSK63A-ASHR3-38125-25(20)</b>											



Tolerance systems acc to ISO  
 Surface roughness Ra um

Where tolerance not stated:  
 For threads SS-iso 965/3  
 For dimensions SS 715 Medium

Dimension	Tol	Angle (Shortest adjacent side in mm)	Tol
6	-6		
60 - 30	±0.10		
60 - 120	±0.20	10	± 1'
120 - 315	±0.30	10	± 30'
315 - 1000	±0.50	150 - 120	± 20'
	±0.80	120	± 30'



340-0700-2

MOD	LOCATION	CHANGE REFERENCE	DATE	SIGN