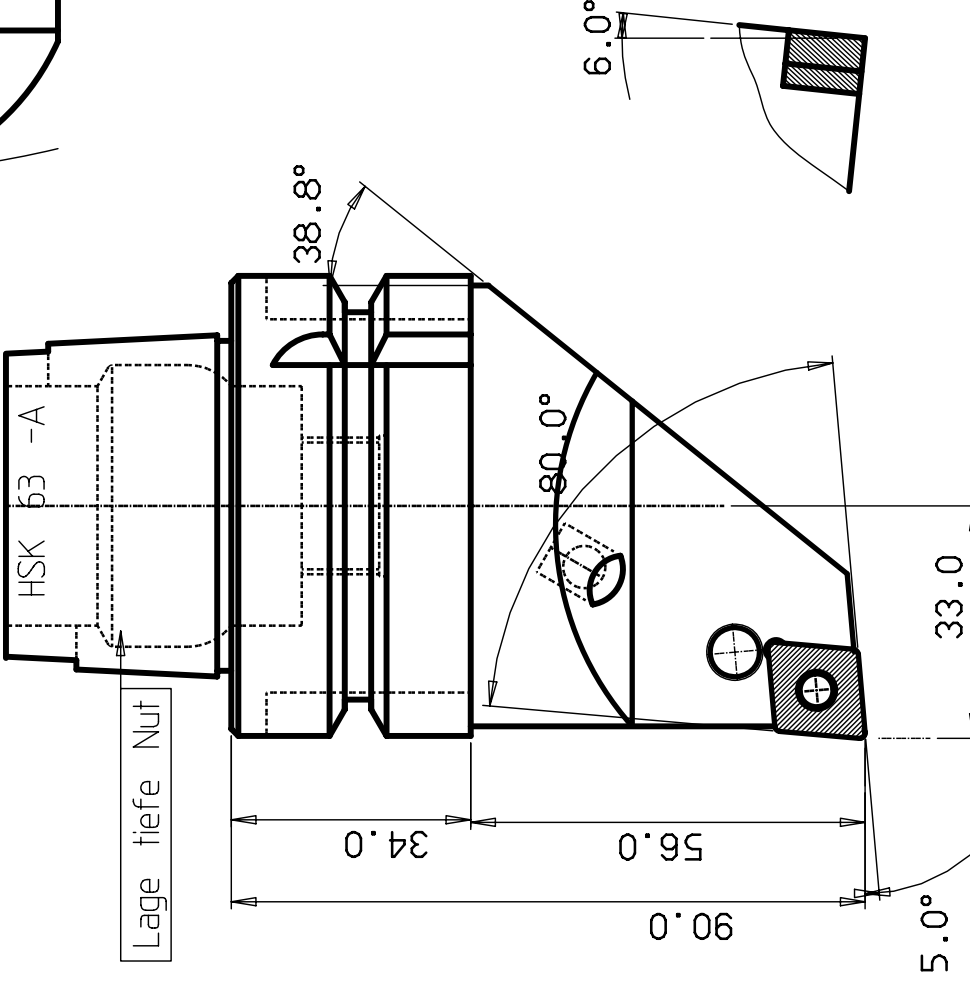


6.0°

D Min  $\phi$  270.0



HSK 63 -A

Lage tiefe Nut

HM-Platte CN..120408

5	Schraube	174.3-821
4	Rohrstift	174.3-861
3	Unterlage	171.31-850M
2	Knihebel	174.3-841M
1	Schaft	

ITEM	QNTY	DESCRIPTION	MATERIAL AND REMARKS	RELATED DRAWING	1	ITER	1	SIZE
CATEGORY	DESIGNED	DRAWN	CHECKED	DATE	SCALE	SUPERSEDES		

TITLE

Schneidkopf



REFERENCE

MODIFICATION

DESIGN OFFICE

ABCDEFGHIJ KLMNPRSTUVWXYZ

HSK63A-PCLNL-03390-12