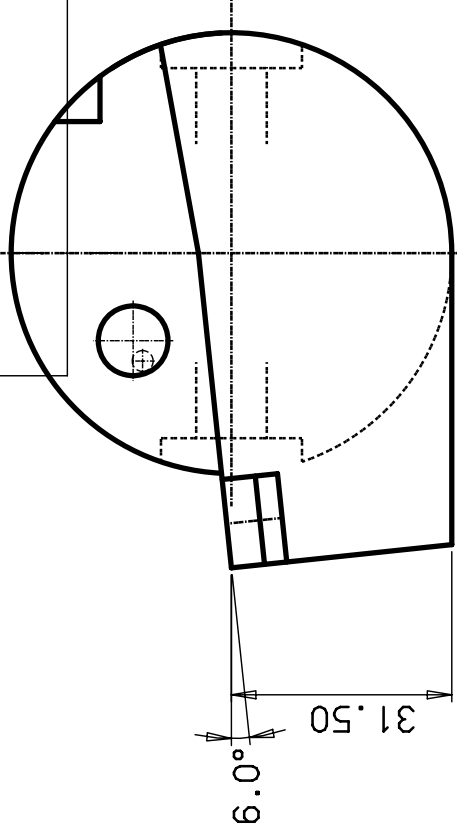
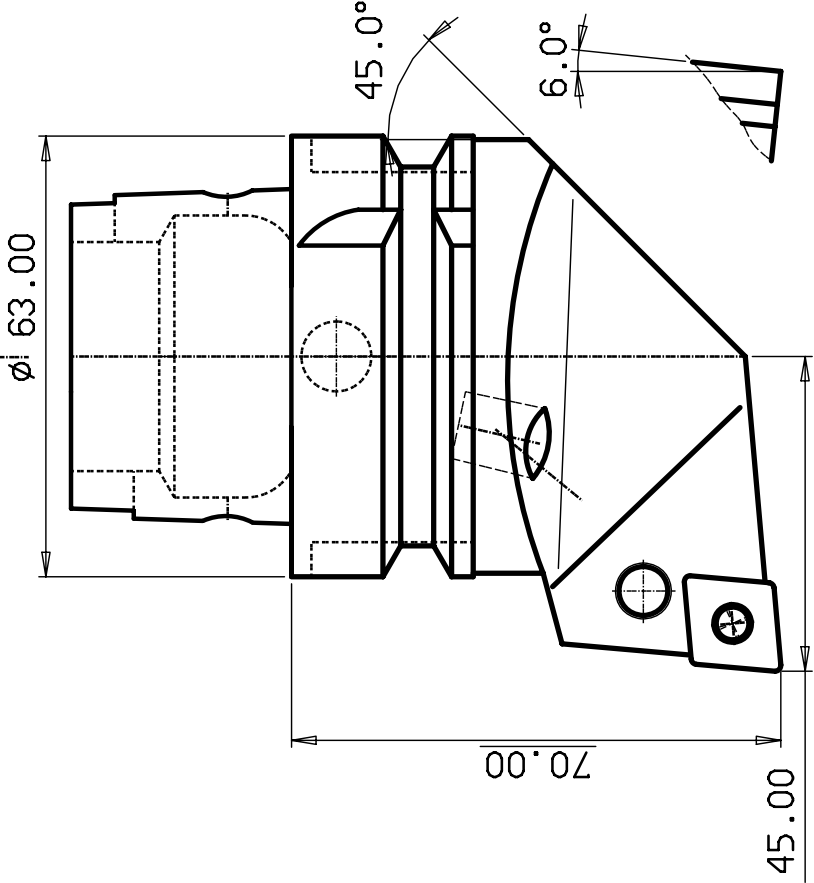
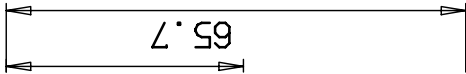


5 6 7 8

DESIGN OFFICE | DRAWING NUMBER



4.7



HM-Platte CNM.120408

ITEM	QTY	DESCRIPTION	MATERIAL AND REMARKS	RELATED DRAWING	SIZE
5		Schraube		174.3-821	
4		Rohrstift		174.3-861	
3		Unterlage		171.31-850M	
2		Knihobel		174.3-841M	
1		Schaft			

CATEGORY	DESIGNED	DRAWN	CHECKED	DATE	SCALE	SUPERSEDES

**Schneidkopf
Cutting-Unit**

HAVRANEK
 P.O. Box 100
 100 00 Praha 10
 Tel. 025777800
 Fax. 025777801
 E-Mail: havranek@havranek.cz
 Internet: www.havranek.cz

REFERENCE	MODIFICATION	DESIGN OFFICE	DRAWING NUMBER

ABCDEFGHIJKLMNPQRSTUWXYZ
HSK63A-PCLNL-45070-12

acc to ISO

Ra μm

stated:
65/3
15 Medium

Angle Side in mm	Td
(10)	± 1'
(50)	± 30'
(120)	± 20'
	± 10'

5 6 7 8