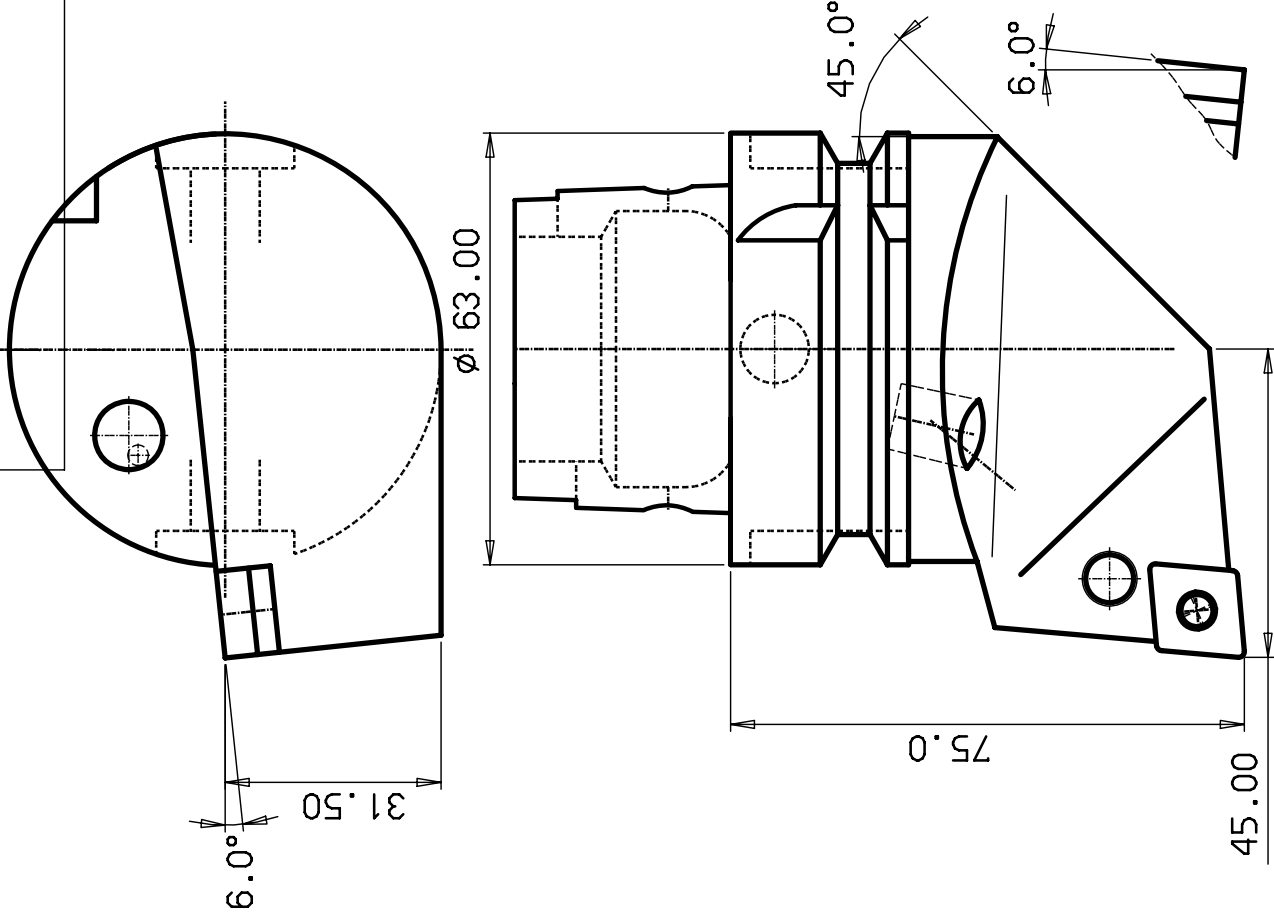


DESIGN OFFICE | DRAWING NUMBER



HM-Platte CNM.120408

ITEM	QNTY	DESCRIPTION	MATERIAL AND REMARKS	RELATED DRAWING	ITEM	SIZE
5		Schraube		174.3-821		
4		Rohrstift		174.3-861		
3		Unterlage		171.31-850M		
2		Kniebel		174.3-841M		
1		Schaff				

CATEGORY	DESIGNED	DRAWN	CHECKED	DATE	SCALE	SUPERSEDES
TITLE						

Schneidkopf
Cutting-Unit



REFERENCE	MODIFICATION	DESIGN OFFICE	DRAWING NUMBER
			ABCDEFI GHI JKLMNPRSTUVWXYZ

HSK63A-PCNL-45075-12