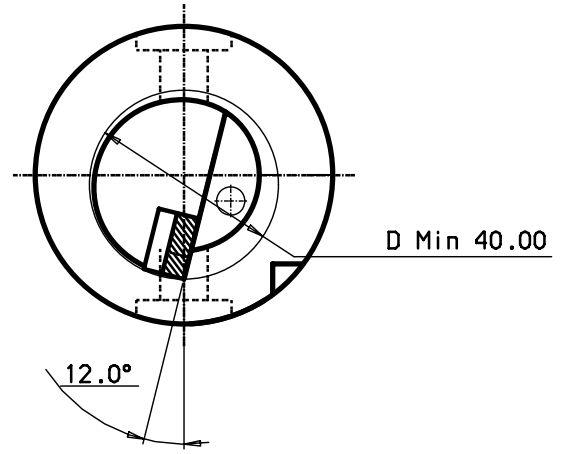
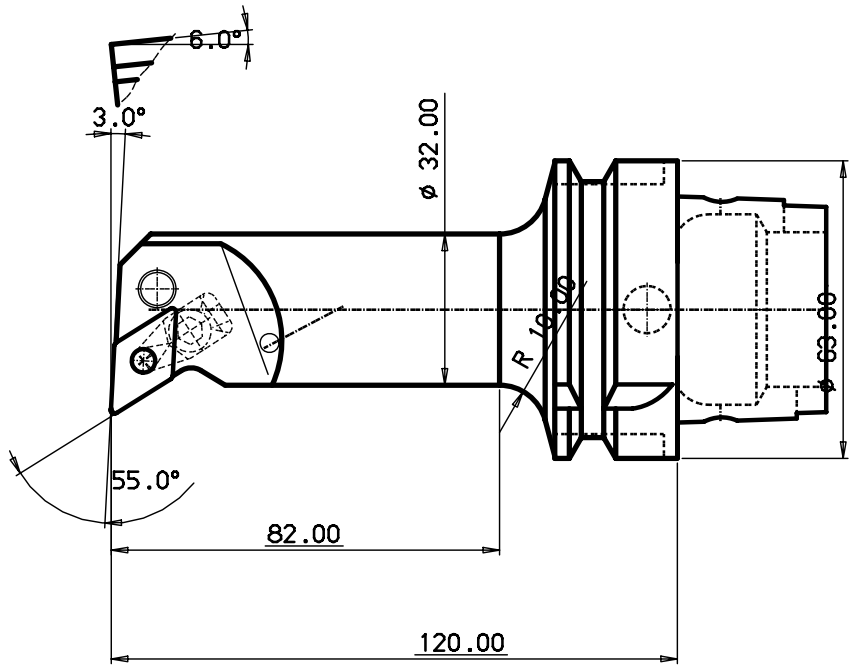


Spinnen is protected under the trademark laws of the United States and other countries. It is the property of the Spinnen Company.

100 mm
 90
 80
 70
 60
 40
 30
 20
 10
 0

MICROFILMED



HM-Platte DN.150612

6	1	Spannsatz	54.12-028-021
5	1	Schraube	174.3-830
4	1	Rohrstift	174.3-861
3	1	Unterlage	171.35-855
2	1	Kniehebel	174.3-847M

ITEM	QTY	DESCRIPTION	MATERIAL AND REMARKS	RELATED DRAWING	UNIT	ISSUE
CATEGORY	DESIGNED	DRAWN	CHECKED	DATE	SCALE	SUPERSEDES

Tolerance systems acc to ISO
Surface roughness Ra μ m

Where tolerance not stated:
For threads SS-ISO 965/3
For dimensions SS 715 Medium

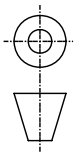
Dimension	Tol	Angle (Shortest-adjacent side in mm)	Tol
(6) - 30	± 0.10	10	$\pm 1'$
(30) - 120	± 0.20	(10) - 50	$\pm 30'$
(120) - 315	± 0.50	(50) - 120	$\pm 20'$
(315) - 1000	± 0.80	(120) -	$\pm 10'$

**Schneidkopf
Cutting-Unit**



REFERENCE	MODIFICATION	DESIGN OFFICE	DRAWING NUMBER
-----------	--------------	---------------	----------------

HSK63A-PDUNR-2232120-15RC



340-0700-2

MOD	LOCATION	CHANGE REFERENCE	DATE	SIGN