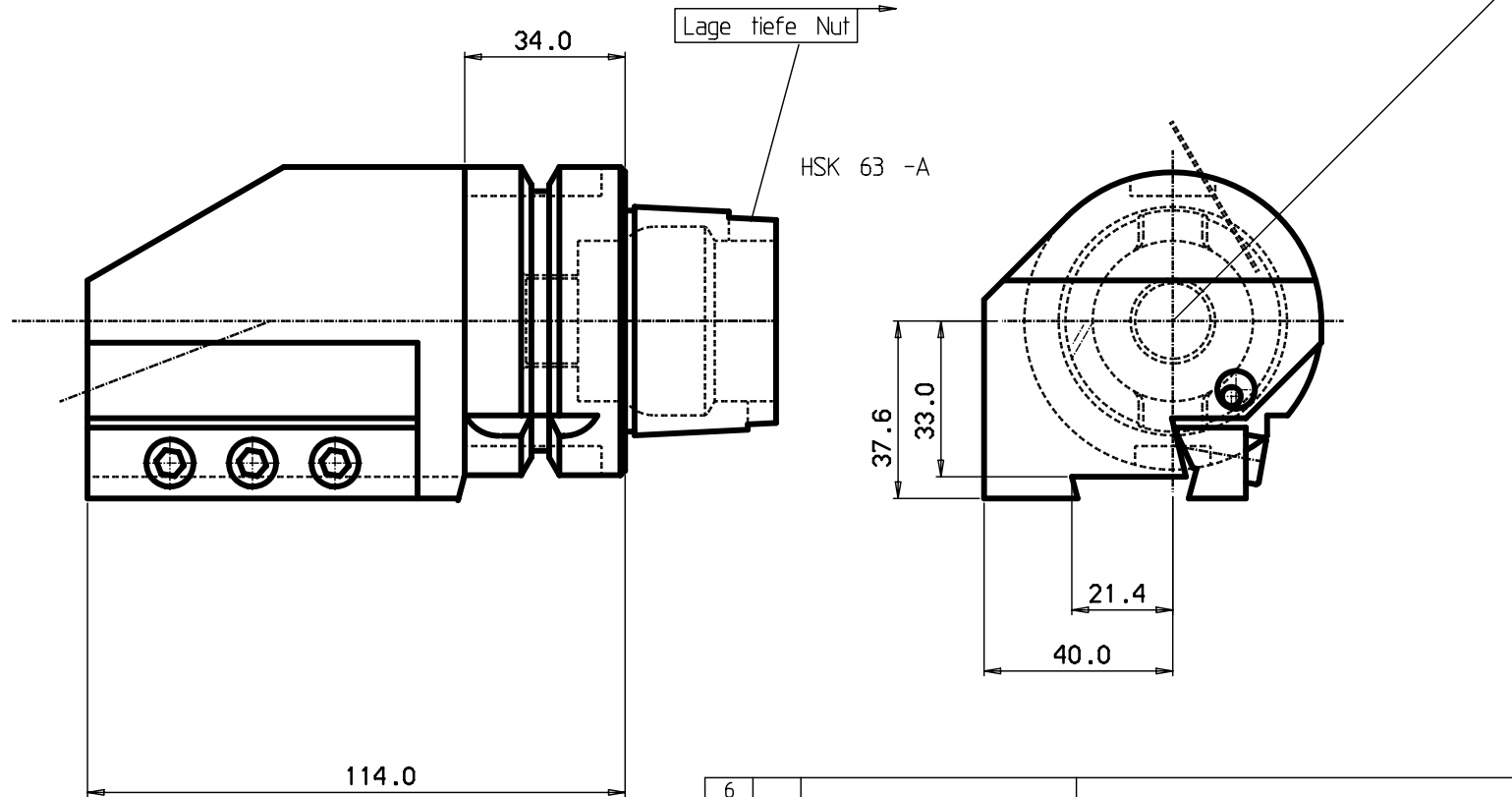


This drawing is the property of HAVRANEK s.r.o. and its use is limited to the purpose for which it was issued.

MICROFILMED

100 mm
 90
 80
 70
 60
 40
 30
 20
 10
 0



6							
5							
4							
3							
2							
1							
ITEM	QNTY	DESCRIPTION	MATERIAL	AND REMARKS	RELATED DRAWING	DATE	SIZE

CATEGORY	DESIGNED	DRAWN	CHECKED	DATE	SCALE	SUPERSEDES
----------	----------	-------	---------	------	-------	------------

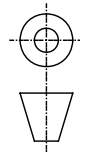
TITLE: *Adapter*

REFERENCE	MODIFICATION	DESIGN OFFICE	DRAWING NUMBER
	ABCDEFGHIJKLMNPQRSTUWXYZ		HSK63A-R151.2-33114-21

Tolerance systems acc to ISO
 Surface roughness Ra um

Where tolerance not stated:
 For threads SS-iso 965/3
 For dimensions SS 715 Medium

Dimension	Tol	Angle (Shortest adjacent side in mm)	Tol
-6	±0.10	0	± 1'
(6) - 30	±0.20	0	± 30'
(30) - 120	±0.30	(10) - 50	± 20'
(120) - 315	±0.50	(50) - 120	± 30'
(315) - 1000	±0.80	(120) -	± 40'



340-07050-2

MOD.	LOCATION	CHANGE REFERENCE	DATE	SIGN