

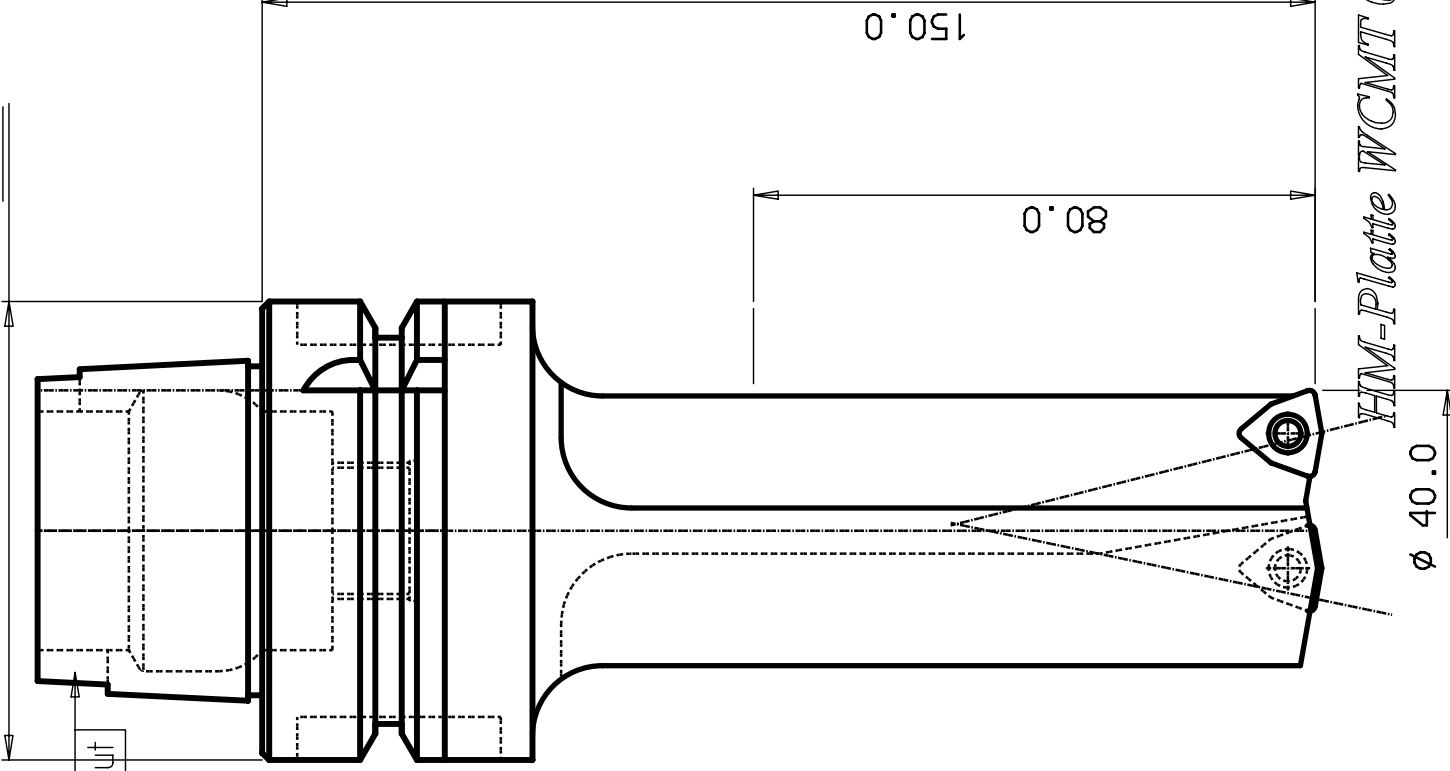
5 6 7 8

DESIGN OFFICE | DRAWING NUMBER

HSK 63 A  $\phi$  63.0

Lage tiefe Nut

42.6



HM-Platte WCMT 06T308

$\phi$  40.0

150.0

80.0

acc to ISO

Ra um i

Stated:  
5/3  
5 Medium  
Angle (Shortest adjacent side in mm)  
10  
100 -50  
150 -120  
1200 -

Tol.  
 $\pm$  1'  
 $\pm$  30'  
 $\pm$  20'  
 $\pm$  10'

ITEM CATEGORY	QNTY	DESCRIPTION	DRAWN	CHECKED	DATE	MATERIAL AND REMARKS	SCALE	RELATED DRAWING	ITEM	SIZE
TITLE										
<i>Bohrer</i>										
REFERENCE										
MODIFICATION			ABCDEFGHIJKLMNPQRSTUWXYZ							
DESIGN OFFICE			DRAWING NUMBER							
			HSK63A-R416.2-040150-06							



5

6

4

7

8