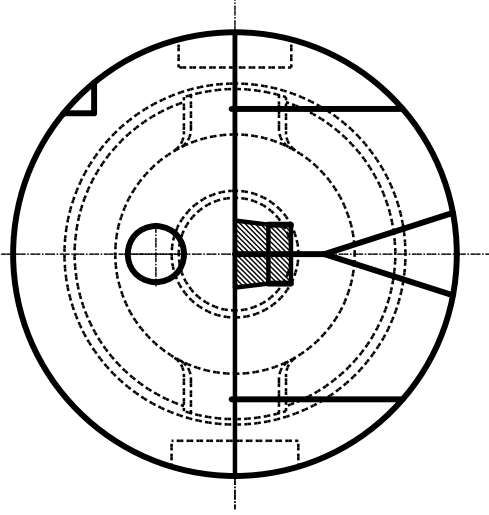


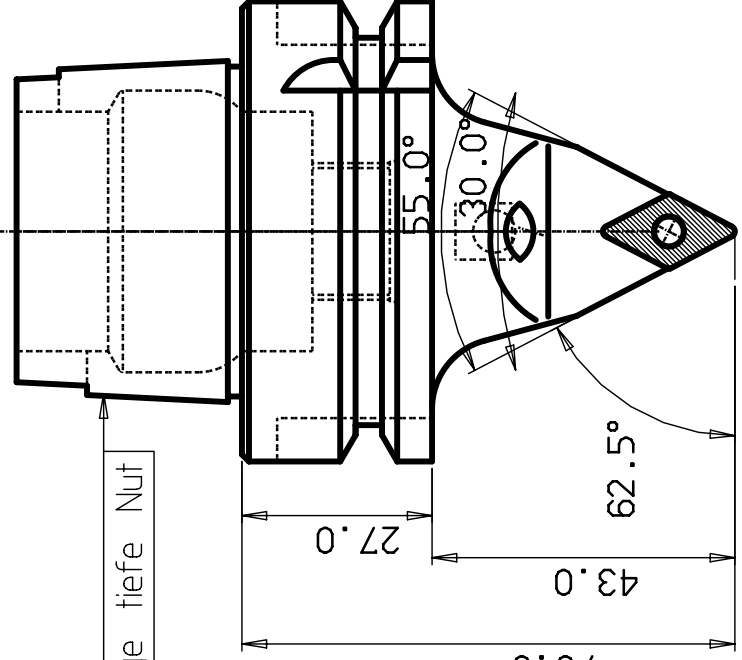
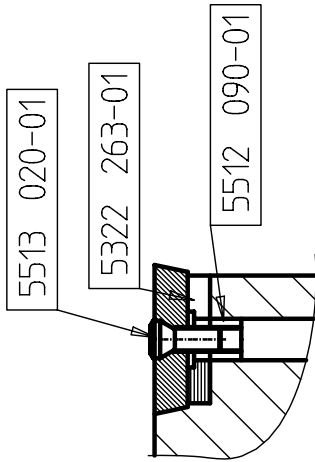
5 6 7 8 A B C D E F

DESIGN OFFICE | DRAWING NUMBER



HSK 63 -A

Lage tiefe Nut



HM-Platte DCMT 11T308

ITEM	QNTY	DESCRIPTION	MATERIAL AND REMARKS	RELATED DRAWING	ITEM	SIZE
CATEGORY	DESIGNED	DRAWN	CHECKED	DATE	SCALE	SUPERSEDES
TITLE	<i>Schneidkopf</i>					
REFERENCE	MODIFICATION ABCDEFGHIJKLIMNPRSTUVXYZ DESIGN OFFICE DRAWING NUMBER		HSK63A-SDNCN-00070-11			

HAVRANEK
 PASTA, BRNO
 Tel. 07122/7600
 Fax. 07122/76011
 E-mail: havranek@brno.cz
 Web: www.havranek.cz

5 6 7 8